

Vertical fitting socket for surface mounting

KCV-2-1-T

- This is the automatic mounting type for fitting KC-2-1 vertically.
- It has an adsorption pin to adsorb KC-2-1. After reflow, please remove it.
- Adsorption pin: Material: Stainless steel

■ Specification

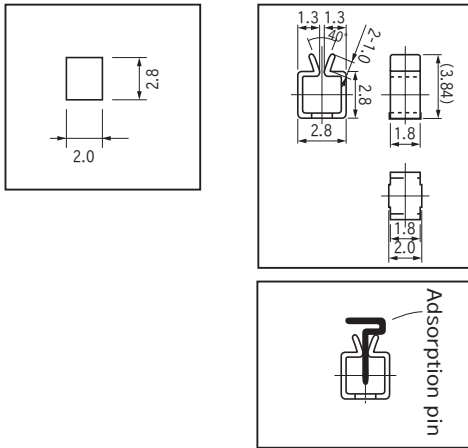
It is the same as KC-2-1.

■ Part No.

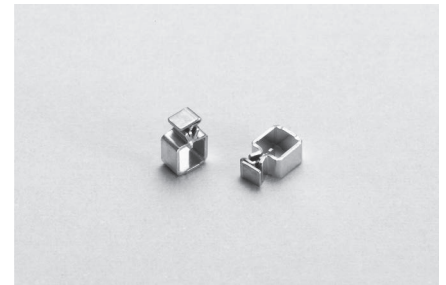
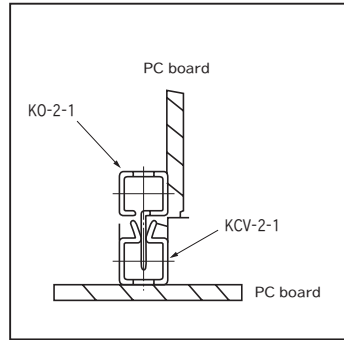
Part No.	Package
KCV-2-1-T	Reel (400pcs/reel)

- Please use KC-2-1 to use by bulk package.

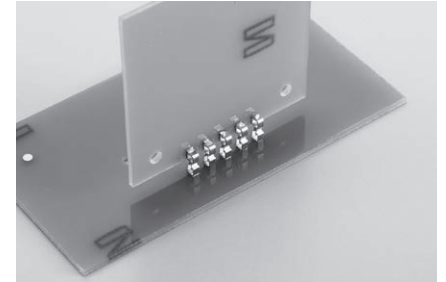
■ Recommended land information



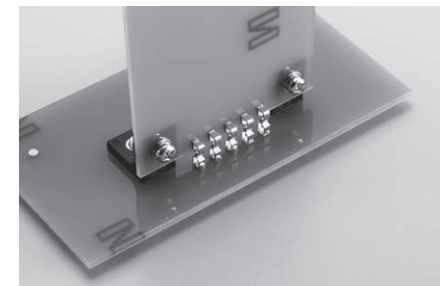
■ Example of usage



■ Example of usage



When KCV-2-1-T and KO-2-1 are combined



Example of reinforcement of the condition described above by using AXA-15-M3

■ Instructions for use

As the strength is weak, please reinforce the PC board on KO-2-1 side with AXA-11-M2, AXA-15-M3, etc. to prevent the PC boards from moving.

