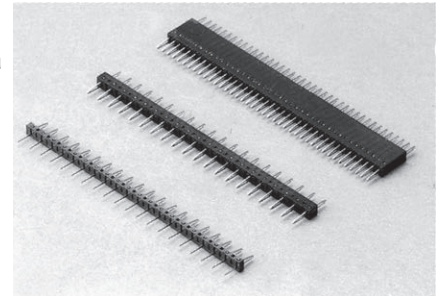


Conthrough series for two-tiered installation of printed boards

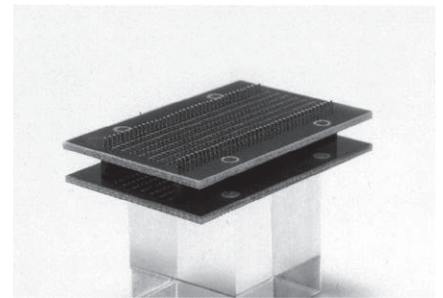
XB series (10pcs/pack)

- Pitch: 1.27 mm and 2.54 mm
- Maximum 40P connected for a pitch of 1.27 mm / Maximum 20P connected for a pitch of 2.54 mm
- Material
Pin part: Beryllium copper Gold plating over nickel base
Resin part: LCP resin black (UL94V-0)
- Reflow can be used for this type.
- Rated current: 1A
- Rated voltage: 125V AC, DC
- Contact resistance: 30m Ω or less
- Insulation resistance: 500M Ω or over
- Withstand voltage: 1000V AC, DC per minute
- Adaptive through hole for printed board (contact side): φ 0.8 to φ 0.9 for the TH finish diameter (Please make a hole of φ 0.85 as the main diameter.)
- Adaptive printed board thickness: t0.8 to t1.6
- Operating temperature range: - 40 to + 125°C
- Operating humidity range: 0 to 85%RH (Without dew condensation.)
- Frequency of use: 50 times or less (for the same through hole)
- Insertion / removal forces (per pin)



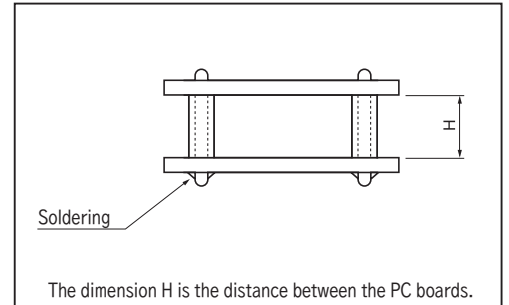
Through hole	Insertion forces	Removal forces
φ 0.8	200g or less	50g or over
φ 0.85	150g or less	30g or over
φ 0.9	100g or less	20g or over

■ Example of usage



Part No.	H	P
XB-1-1	1	1.27
XB-1-1.5	1.5	1.27
XB-1-2	2	1.27
XB-1-2.5	2.5	1.27
XB-1-3	3	1.27
XB-1-3.5	3.5	1.27
XB-1-4	4	1.27
XB-1-4.5	4.5	1.27
XB-1-5	5	1.27
XB-1-5.5	5.5	1.27
XB-1-6	6	1.27
XB-1-7	7	1.27
XB-1-8	8	1.27
XB-1-9	9	1.27
XB-1-10	10	1.27

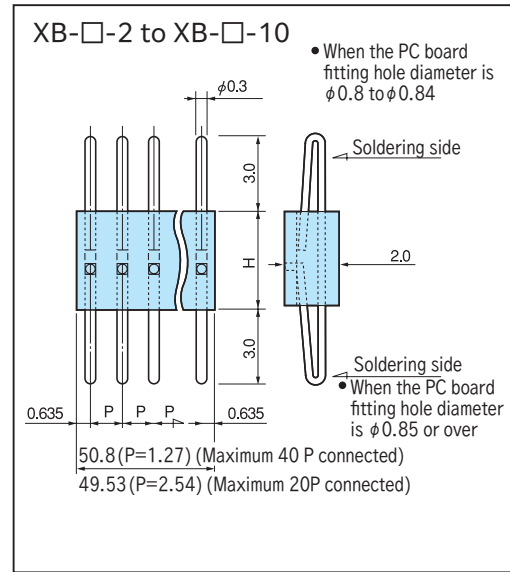
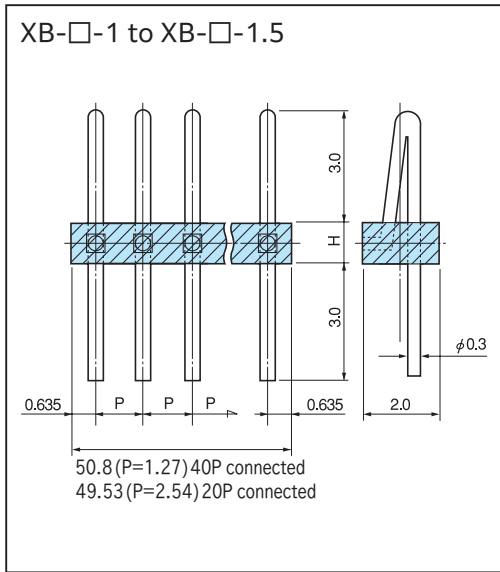
Part No.	H	P
XB-3-1	1	2.54
XB-3-1.5	1.5	2.54
XB-3-2	2	2.54
XB-3-2.5	2.5	2.54
XB-3-3	3	2.54
XB-3-3.5	3.5	2.54
XB-3-4	4	2.54
XB-3-4.5	4.5	2.54
XB-3-5	5	2.54
XB-3-5.5	5.5	2.54
XB-3-6	6	2.54
XB-3-7	7	2.54
XB-3-8	8	2.54
XB-3-9	9	2.54
XB-3-10	10	2.54



■ Instructions for use

- This cannot be used when the insertion / removal side is a copper through hole board. (Due to quick oxidization of copper)

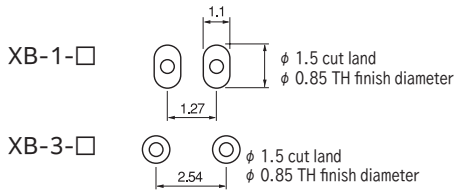
■ Dimension



■ Recommended land information

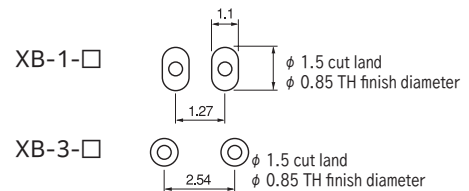
- XB-□-1 to XB-□-1.5

- Contact side

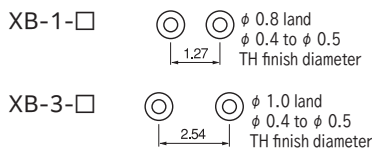


- XB-□-2 to XB-□-10

- Contact side and soldering side



- Soldering side



■ How to order

XB-3-3-10P



Please fill in the desired number of poles.

If the number of poles is not specified, we will deliver the maximum number of poles.