

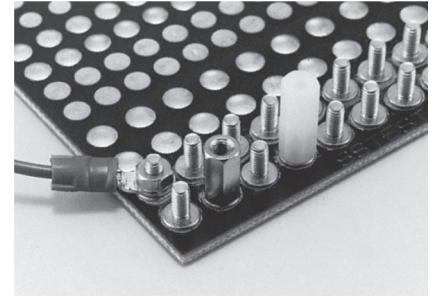
Screw for surface mounting M2, M2.6, M3, M4

SN series 2SN, 2.6SN, 3SN, 4SN (100pcs/pack)

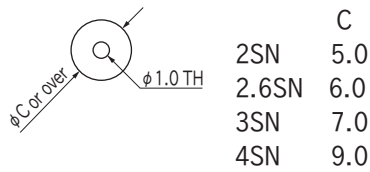
- This screw can be fit to a surface mounting board.
- The small protuberance on the lower part is attached to prevent misalignment.
- Please drill a through hole of $\phi 1$
- This screw can fit to various items.
- Electricity can be applied to this.
- Material: Brass
- Finish: Tin plating over nickel base
- Rated current 2SN: 10A
2.6SN: 20A
3SN: 30A
4SN: 40A



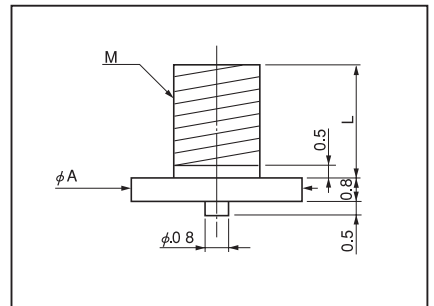
■ Example of usage



■ Recommended land information:



- Recommended metal mask thickness :
150 μm to 200 μm
Please apply evenly (not to avoid the through hole).
- Tightening torque
2SN: 2kgf-cm or less
2.6SN: 4kgf-cm or less
3SN: 5kgf-cm or less
4SN: 6kgf-cm or less



- M2 : P=0.4
- M2.6 : P=0.45
- M3 : P=0.5
- M4 : P=0.7

■ Part No.

Part No.	L	A	M
2SN-4	4	4	M2
2SN-5	5	4	M2
2SN-6	6	4	M2
2SN-7	7	4	M2
2SN-8	8	4	M2
2SN-9	9	4	M2
2SN-10	10	4	M2
2.6SN-4	4	5	M2.6
2.6SN-5	5	5	M2.6
2.6SN-6	6	5	M2.6
2.6SN-7	7	5	M2.6
2.6SN-8	8	5	M2.6
2.6SN-9	9	5	M2.6
2.6SN-10	10	5	M2.6
3SN-4	4	6	M3
3SN-5	5	6	M3
3SN-6	6	6	M3
3SN-7	7	6	M3
3SN-8	8	6	M3
3SN-9	9	6	M3
3SN-10	10	6	M3
4SN-4	4	8	M4
4SN-5	5	8	M4
4SN-6	6	8	M4
4SN-7	7	8	M4
4SN-8	8	8	M4
4SN-9	9	8	M4
4SN-10	10	8	M4

- All the products described above are sold as separate products.

Screw for surface mounting Tape type

SN series 2SN, 2.6SN, 3SN, 4SN

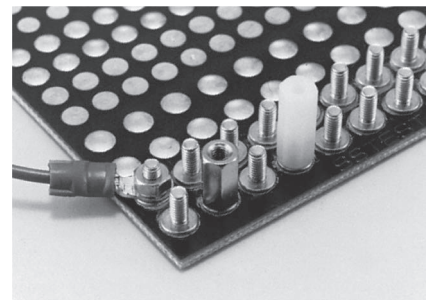
- An automatic inserting machine can be used for this screw for surface mounting.
- This is stored in an embossed tape.



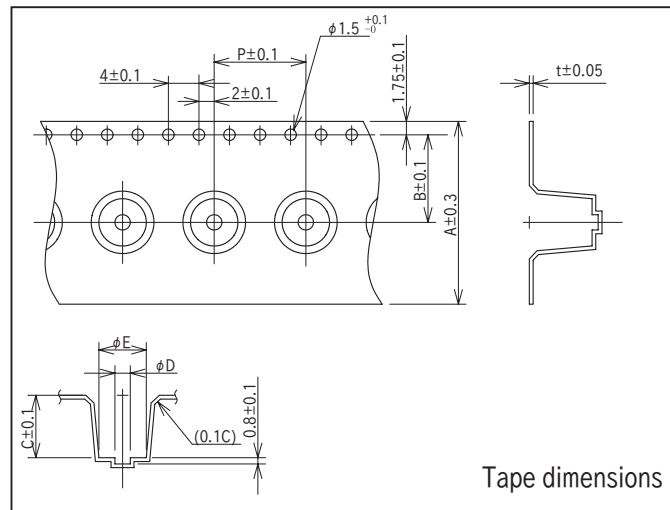
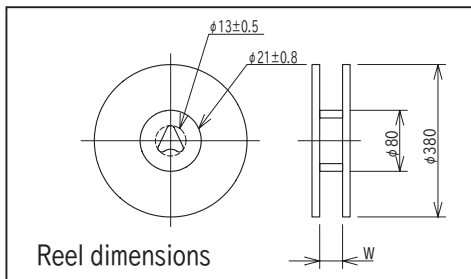
■ Part No.

Part No.	quantity per reel	Dimension of the reel W	Dimensions of the tape						
			A	B	C	D	E	P	t
2SN-4-T	1000	17.5	16	7.5	6.2	1.5	4.2	12	0.4
2SN-5-T	900	17.5	16	7.5	7.2	1.5	4.2	12	0.4
2SN-6-T	800	17.5	16	7.5	8.2	1.5	4.2	12	0.4
2.6SN-4-T	900	25.5	24	11.5	6.2	1.5	5.2	12	0.4
2.6SN-5-T	800	25.5	24	11.5	7.2	1.5	5.2	12	0.4
2.6SN-6-T	600	25.5	24	11.5	8.2	1.5	5.2	12	0.4
2.6SN-7-T	600	25.5	24	11.5	8.2	1.5	5.2	12	0.4
3SN-4-T	900	25.5	24	11.5	5.1	2.0	6.2	12	0.4
3SN-5-T	800	25.5	24	11.5	7.2	2.0	6.2	12	0.4
3SN-6-T	600	25.5	24	11.5	8.2	2.0	6.2	12	0.4
3SN-7-T	500	25.5	24	11.5	9.2	2.0	6.2	16	0.5
3SN-8-T	400	25.5	24	11.5	10.2	2.0	6.2	16	0.5
4SN-4-T	600	25.5	24	11.5	6.2	2.0	8.2	16	0.4
4SN-5-T	500	25.5	24	11.5	7.2	2.0	8.2	16	0.4
4SN-6-T	400	25.5	24	11.5	8.2	2.0	8.2	16	0.4
4SN-7-T	400	25.5	24	11.5	9.2	2.0	8.2	20	0.5
4SN-8-T	300	25.5	24	11.5	10.2	2.0	8.2	20	0.5
4SN-9-T	300	25.5	24	11.5	11.2	2.0	8.2	20	0.5

■ Example of usage



■ Dimension of the reel



- Please consult with the machine manufacturer for the adsorption nozzle.