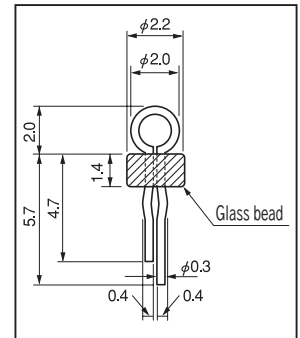
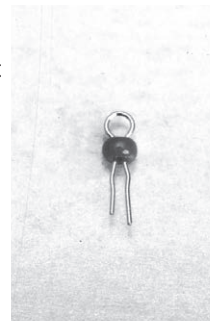


Check terminal for oscilloscope

Part No.: **LC-3-G, LC-3-S** (1000pcs/pack)

- You can put it with a pitch of 2.54 mm.
- The probe for oscilloscope can be hooked from any direction.
- With six types of glass beads color, you can classify the signal lines by using different colors.
- Material: Phosphor bronze: ϕ 0.3
- Finish: LC-3-G: Gold plating over nickel base
LC-3-S: Tin plating over nickel base
- Printed board fitting hole diameter: ϕ 0.8
- Operating temperature range: - 40 to + 150°C
- Beads color type: BLACK, GREENISH BROWN, GREEN, SKY BLUE, PURPLE, WHITE
- How to order: LC-3-G BLACK

↑
Color designation

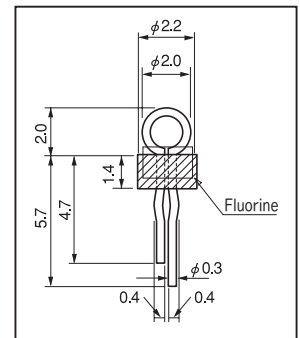
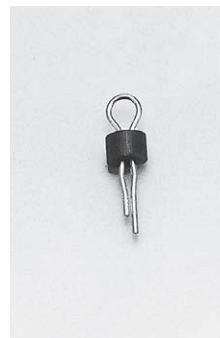


Check terminal for oscilloscope

Part No.: **LC-33-G, LC-33-S** (1000pcs/pack)

- Material: Metal part: Phosphor bronze, ϕ 0.3
Resin part: Fluorine (UL94V-0)
- Finish: LC-33-G: Gold plating over nickel base
LC-33-S: Tin plating over nickel base
- Printed board fitting hole diameter: ϕ 0.8
- Operating temperature range: - 40 to + 150°C
- Beads color type: RED, ORANGE, YELLOW, WHITE, BLACK
- How to order: LC-33-G RED

↑
Color designation



Check terminal for ϕ 0.3

Part No.: **LC-4-G, LC-4-S** (1000pcs/pack)

- This check terminal is developed for a land with small diameter (ϕ 0.3 to ϕ 0.4 hole for upper and lower electrical connection)
- Material: Metal part: Phosphor bronze, ϕ 0.25.
Resin part: Fluorine (UL94V-0)
- Finish: LC-4-G: Gold plating over nickel base
LC-4-S: Tin plating over nickel base
- Printed board fitting hole diameter: ϕ 0.3 to ϕ 0.4
- Operating temperature range: - 40 to + 150°C
- Beads color type: RED, YELLOW, BLUE, WHITE, BLACK
- How to order: LC-4-G RED

↑
Color designation

