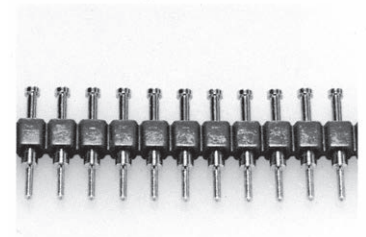


For check

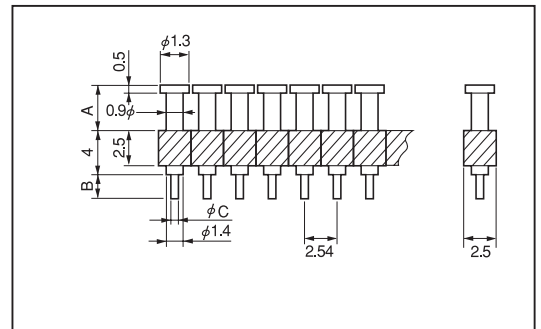
SM series (10pcs/pack)

- Please use this for checking of signal line, etc.
- Pitch: 2.54 mm, 20 pins connected
- You can cut it neatly by using a nipper for mold cutting (Part no: MOC-3)
- Material Pin: Brass, Finish: Gold plating over nickel base
Resin: PBT (UL94V-0), RED
- Operating temperature range: - 40 to + 125°C



20 pins connected

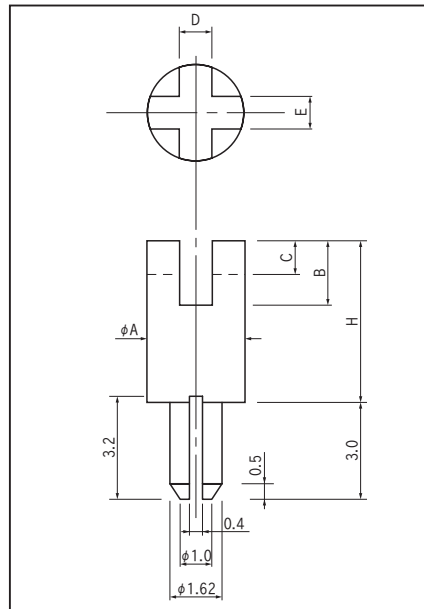
Part No.	A	B	C	Printed board fitting hole diameter
SM-1-1	2.0	3.0	0.65	φ 0.8
SM-1-2	3.5	3.0	0.65	φ 0.8
SM-1-3	5.5	3.0	0.65	φ 0.8
SM-6-1	2.0	2.5	0.45	φ 0.6
SM-6-2	3.5	2.5	0.45	φ 0.6



Terminal for bidirectional adjustment part

ATT series (100pcs/pack)

- You can fit a part from both directions.
- Material: Brass
- Finish: Gold plating over nickel base



■ Example of usage



■ Part No.

Part No.	A	B	C	D	E	H	Recommended fitting hole
ATT-1-5	3	2	1.0	1.0	1.0	5.0	φ 1.6 TH φ 4 Land
ATT-1-7						7.0	
ATT-1-10						10	
ATT-1-15						15	
ATT-2-7	4	3	1.5	1.5	1.5	7.0	φ 1.6 TH φ 5 Land
ATT-2-10						10	
ATT-2-15						15	