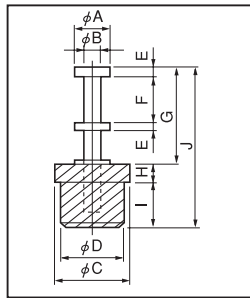
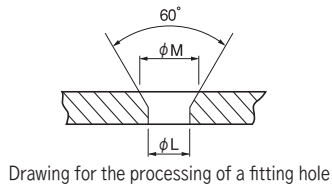


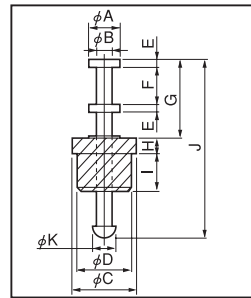
Fluorine terminal

FT series (100pcs/pack)

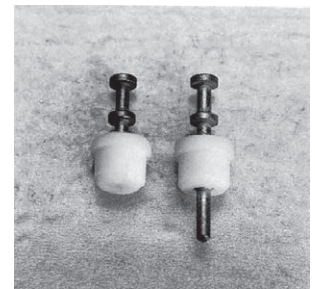
- This is a fluorine terminal.
- Material: Fluorine (milky white)
: Brass, Tin plating over nickel base



FT-1 type



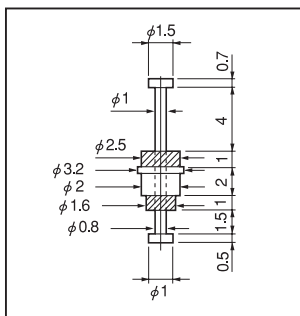
FT-2 type



Part No.	A	B	C	D	E	F	G	H	I	J	K	L	M	Press-fitting tool
FT-1-1	1.52	0.76	3.18	2.36	0.51	1.52	4.32	1.02	2.54	7.87	—	2.18	2.92	P-5
FT-1-2	2.03	1.02	4.37	3.76	0.51	2.54	5.33	1.02	2.54	8.89	—	3.45	4.06	P-6
FT-2-1	2.03	1.02	3.18	2.36	0.51	2.54	5.33	1.02	2.54	12.7	1.5	2.18	2.92	
FT-2-2	2.03	1.02	4.37	3.76	0.51	2.54	5.33	1.02	2.54	12.7	1.5	3.45	4.06	
FT-3-1	The dimensions are as shown in the drawing below. Printed board fitting hole diameter: ϕ 2.2													

* It is impossible to use the press-fitting tool edge chip P series without the main body PCX-1.

- FT-3-1 is the type which is fixed by soldering.



FT-3-1

