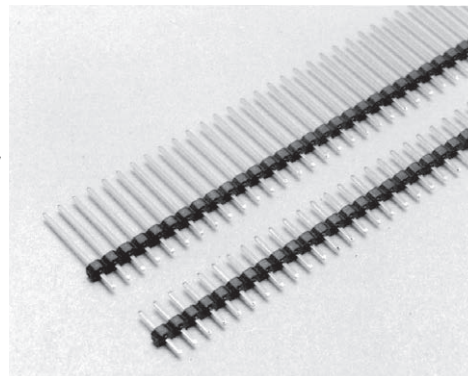


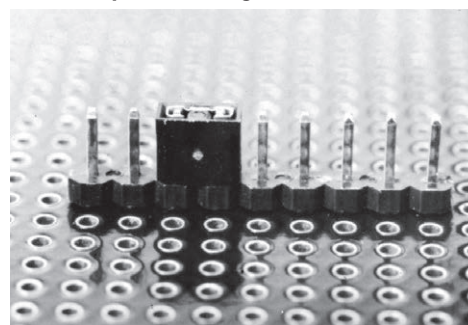
Wrapping terminal of connected type

WL series (10pcs/pack)

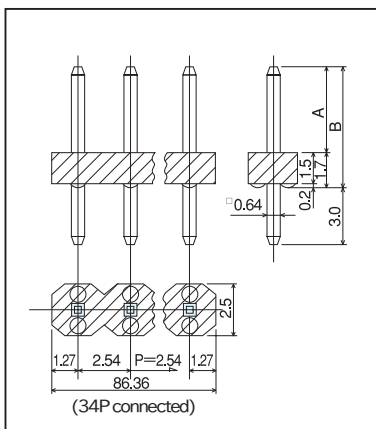
- This wrapping terminal is connected with a pitch of 2.54mm.
- By combining with a jumper socket (Part No.: JS-1) , switching function is available.
In case of combination of WL-1 and JS-1, the height from PC board is 6mm.
- As 34 pins are connected, please cut them to the desired number of poles by using a mold cutting nipper (Part No.: MOC-3)
- Material Resin part: PBT black (UL94V-0)
Pin part: Phosphor bronze
- Finish: Pin part: Gold plating over nickel base
- Printed board fitting hole diameter: ϕ 1.0 to ϕ 1.1
- Rated current: 3A
- Rated voltage: 250V AC, DC
- Insulation resistance: 500M Ω or over
- Withstand voltage: 1000V AC, DC per minute
- Operating temperature range: - 40 to + 125 $^{\circ}$ C



■ Example of usage



In the case that the jumper socket (JS-1) is used (combination of WL-1 and JS-1)



Part No.	A	B
WL-1	4.3	6
WL-8	8	9.7
WL-10	10	11.7
WL-12	12	13.7
WL-14	14	15.7
WL-20	20	21.7

■ How to order

WL-1-10P

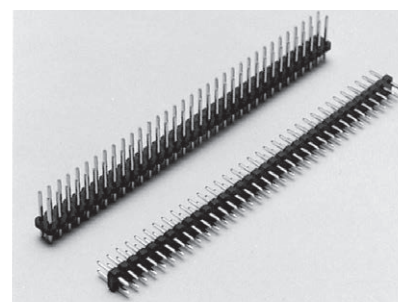
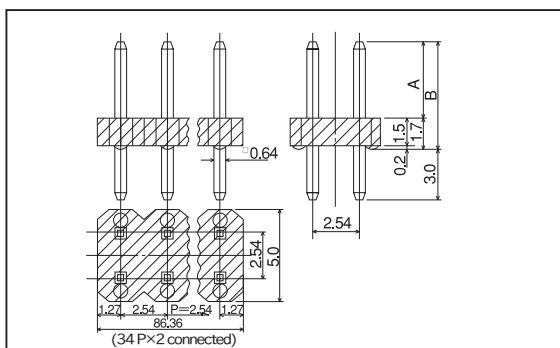


Please fill in the desired number of poles.

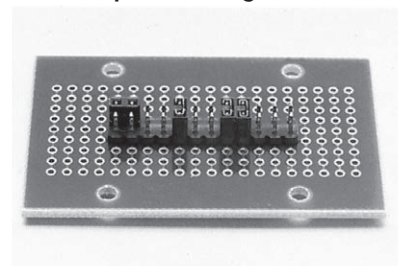
Wrapping terminal of two-row connected type

WLW series (10pcs/pack)

- This is the two-row type of the WL series described above.
- Usage, etc. is the same as those of WL series.
- We will cut to the desired number of poles and before delivery.



■ Example of usage



Jumper socket (JS-1)
(Combination of WLW-1 and JS-1)

■ How to order:

WLW-1-10PW



Please fill in the number of poles on one side.
(If the number of poles is not specified, we will deliver the maximum connected number, 34PW.)

Part No.	A	B
WLW-1	4.3	6
WLW-8	8	9.7
WLW-10	10	11.7
WLW-12	12	13.7
WLW-14	14	15.7

* For an order of WLW- □ -1PW, please order WL- □ -2P.