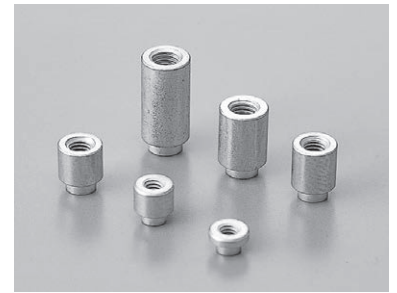
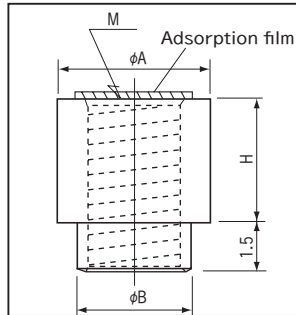


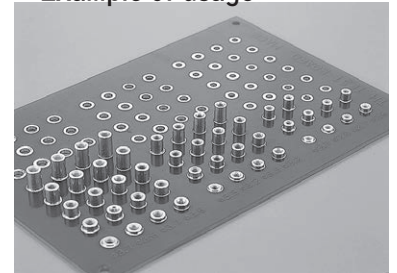
Through hole tap TH-1.6 series

- A chip mounter can be used for this spacer.
- A spacer can be fit on a PC board just by automatically loading it on the PC board and carrying out reflow.
- It can be fit from the part face, soldering face and both sides.
- Tape-and-reel has an adsorption film. Please remove by pushing it from the opposite side after reflow.
- The jig for removing adsorption films (Part No.: TH-JIG) is available.
- Material: Brass
- Finish: Tin plating over nickel base
- Rated current:
 - TH-1.6-□-M1.4.....12A
 - TH-1.6-□-M2.....20A
 - TH-1.6-□-M2.5, M2.6.....20A
 - TH-1.6-□-M3.....30A
- Tightening torque
 - TH-1.6-□-M1.4.....1.0kgf-cm (9.8N-cm) or less
 - TH-1.6-□-M2.....1.5kgf-cm (14.7N-cm) or less
 - TH-1.6-□-M2.5 M2.6.....3kgf-cm (29.4N-cm) or less
 - TH-1.6-□-M3.....5kgf-cm (49N-cm) or less(X-direction)
3kgf-cm (29.4N-cm) or less(Y-direction)
- Adaptive printed board thickness: t1.6 or over
(There is no problem if it is used for other board thickness.)
- Please use the automatic mounter of automatic recognition type.

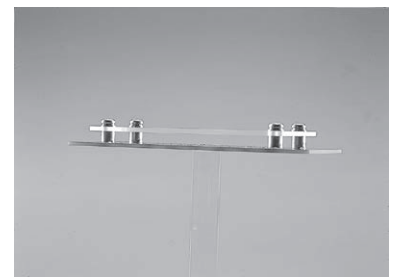
Dimension



Example of usage

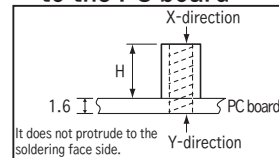


With the adsorption film removed after reflow



Condition of fitting the panel to the printed board

Condition of fitting to the PC board



- M1.4 P = 0.3
- M2 P = 0.4
- M2.5 P = 0.45
- M2.6 P = 0.45
- M3 P = 0.5

To order bulk product

TH-1.6-0.5-M2-B

↑ Please specify -B.

- 100 pieces are included in 1 pack.
- Adsorption films are not put on the bulk products.
- ▲ Use of a through hole tap is limited to a through hole board. (It is impossible to use it for a one-sided board and non through hole board.)

Part No.

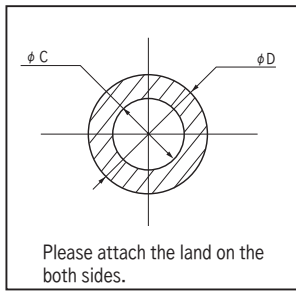
Part No.	A	B	H	M	quantity per reel
TH-1.6-2.0-M1.4	2.7	2.0	2.0	M1.4	500 pcs
TH-1.6-2.5-M1.4	2.7	2.0	2.5	M1.4	400 pcs
TH-1.6-3.0-M1.4	2.7	2.0	3.0	M1.4	400 pcs
TH-1.6-3.5-M1.4	2.7	2.0	3.5	M1.4	350 pcs
TH-1.6-4.0-M1.4	2.7	2.0	4.0	M1.4	350 pcs
TH-1.6-4.5-M1.4	2.7	2.0	4.5	M1.4	300 pcs
TH-1.6-5.0-M1.4	2.7	2.0	5.0	M1.4	300 pcs
TH-1.6-0.5-M2	4.0	2.5	0.5	M2	450 pcs
TH-1.6-1.0-M2	4.0	2.5	1.0	M2	450 pcs
TH-1.6-1.5-M2	4.0	2.5	1.5	M2	450 pcs
TH-1.6-2.0-M2	4.0	2.5	2.0	M2	450 pcs
TH-1.6-2.5-M2	4.0	2.5	2.5	M2	350 pcs
TH-1.6-3.0-M2	4.0	2.5	3.0	M2	350 pcs
TH-1.6-3.5-M2	4.0	2.5	3.5	M2	350 pcs
TH-1.6-4.0-M2	4.0	2.5	4.0	M2	250 pcs
TH-1.6-4.5-M2	4.0	2.5	4.5	M2	250 pcs
TH-1.6-5.0-M2	4.0	2.5	5.0	M2	250 pcs
TH-1.6-5.5-M2	4.0	2.5	5.5	M2	350 pcs
TH-1.6-6.0-M2	4.0	2.5	6.0	M2	350 pcs
TH-1.6-6.5-M2	4.0	2.5	6.5	M2	300 pcs
TH-1.6-7.0-M2	4.0	2.5	7.0	M2	300 pcs
TH-1.6-7.5-M2	4.0	2.5	7.5	M2	300 pcs
TH-1.6-8.0-M2	4.0	2.5	8.0	M2	300 pcs
TH-1.6-0.5-M2.5	4.5	3.1	0.5	M2.5	450 pcs
TH-1.6-1.0-M2.5	4.5	3.1	1.0	M2.5	450 pcs
TH-1.6-1.5-M2.5	4.5	3.1	1.5	M2.5	450 pcs
TH-1.6-2.0-M2.5	4.5	3.1	2.0	M2.5	450 pcs
TH-1.6-2.5-M2.5	4.5	3.1	2.5	M2.5	350 pcs
TH-1.6-3.0-M2.5	4.5	3.1	3.0	M2.5	350 pcs
TH-1.6-3.5-M2.5	4.5	3.1	3.5	M2.5	250 pcs
TH-1.6-4.0-M2.5	4.5	3.1	4.0	M2.5	250 pcs
TH-1.6-4.5-M2.5	4.5	3.1	4.5	M2.5	250 pcs
TH-1.6-5.0-M2.5	4.5	3.1	5.0	M2.5	250 pcs
TH-1.6-5.5-M2.5	4.5	3.1	5.5	M2.5	350 pcs
TH-1.6-6.0-M2.5	4.5	3.1	6.0	M2.5	350 pcs
TH-1.6-6.5-M2.5	4.5	3.1	6.5	M2.5	300 pcs
TH-1.6-7.0-M2.5	4.5	3.1	7.0	M2.5	300 pcs
TH-1.6-7.5-M2.5	4.5	3.1	7.5	M2.5	300 pcs
TH-1.6-8.0-M2.5	4.5	3.1	8.0	M2.5	300 pcs
TH-1.6-8.5-M2.5	4.5	3.1	8.5	M2.5	250 pcs
TH-1.6-9.0-M2.5	4.5	3.1	9.0	M2.5	250 pcs
TH-1.6-9.5-M2.5	4.5	3.1	9.5	M2.5	250 pcs
TH-1.6-10-M2.5	4.5	3.1	10	M2.5	250 pcs

Part No.	A	B	H	M	quantity per reel
TH-1.6-0.5-M2.6	4.5	3.1	0.5	M2.6	450 pcs
TH-1.6-1.0-M2.6	4.5	3.1	1.0	M2.6	450 pcs
TH-1.6-1.5-M2.6	4.5	3.1	1.5	M2.6	450 pcs
TH-1.6-2.0-M2.6	4.5	3.1	2.0	M2.6	450 pcs
TH-1.6-2.5-M2.6	4.5	3.1	2.5	M2.6	350 pcs
TH-1.6-3.0-M2.6	4.5	3.1	3.0	M2.6	350 pcs
TH-1.6-3.5-M2.6	4.5	3.1	3.5	M2.6	350 pcs
TH-1.6-4.0-M2.6	4.5	3.1	4.0	M2.6	250 pcs
TH-1.6-4.5-M2.6	4.5	3.1	4.5	M2.6	250 pcs
TH-1.6-5.0-M2.6	4.5	3.1	5.0	M2.6	250 pcs
TH-1.6-5.5-M2.6	4.5	3.1	5.5	M2.6	350 pcs
TH-1.6-6.0-M2.6	4.5	3.1	6.0	M2.6	350 pcs
TH-1.6-6.5-M2.6	4.5	3.1	6.5	M2.6	300 pcs
TH-1.6-7.0-M2.6	4.5	3.1	7.0	M2.6	300 pcs
TH-1.6-7.5-M2.6	4.5	3.1	7.5	M2.6	300 pcs
TH-1.6-8.0-M2.6	4.5	3.1	8.0	M2.6	300 pcs
TH-1.6-8.5-M2.6	4.5	3.1	8.5	M2.6	250 pcs
TH-1.6-9.0-M2.6	4.5	3.1	9.0	M2.6	250 pcs
TH-1.6-9.5-M2.6	4.5	3.1	9.5	M2.6	250 pcs
TH-1.6-10-M2.6	4.5	3.1	10	M2.6	250 pcs
TH-1.6-0.5-M3	5.0	3.5	0.5	M3	450 pcs
TH-1.6-1.0-M3	5.0	3.5	1.0	M3	450 pcs
TH-1.6-1.5-M3	5.0	3.5	1.5	M3	450 pcs
TH-1.6-2.0-M3	5.0	3.5	2.0	M3	450 pcs
TH-1.6-2.5-M3	5.0	3.5	2.5	M3	350 pcs
TH-1.6-3.0-M3	5.0	3.5	3.0	M3	350 pcs
TH-1.6-3.5-M3	5.0	3.5	3.5	M3	350 pcs
TH-1.6-4.0-M3	5.0	3.5	4.0	M3	250 pcs
TH-1.6-4.5-M3	5.0	3.5	4.5	M3	250 pcs
TH-1.6-5.0-M3	5.0	3.5	5.0	M3	250 pcs
TH-1.6-5.5-M3	5.0	3.5	5.5	M3	350 pcs
TH-1.6-6.0-M3	5.0	3.5	6.0	M3	350 pcs
TH-1.6-6.5-M3	5.0	3.5	6.5	M3	300 pcs
TH-1.6-7.0-M3	5.0	3.5	7.0	M3	300 pcs
TH-1.6-7.5-M3	5.0	3.5	7.5	M3	300 pcs
TH-1.6-8.0-M3	5.0	3.5	8.0	M3	300 pcs
TH-1.6-8.5-M3	5.0	3.5	8.5	M3	250 pcs
TH-1.6-9.0-M3	5.0	3.5	9.0	M3	250 pcs
TH-1.6-9.5-M3	5.0	3.5	9.5	M3	250 pcs
TH-1.6-10-M3	5.0	3.5	10	M3	250 pcs
TH-1.6-11-M3	5.0	3.5	11	M3	350 pcs
TH-1.6-12-M3	5.0	3.5	12	M3	350 pcs
TH-1.6-13-M3	5.0	3.5	13	M3	150 pcs
TH-1.6-14-M3	5.0	3.5	14	M3	150 pcs
TH-1.6-15-M3	5.0	3.5	15	M3	150 pcs
TH-1.6-16-M3	5.0	3.5	16	M3	150 pcs

Through hole tap

TH-1.6 series specification

■ Recommended land information



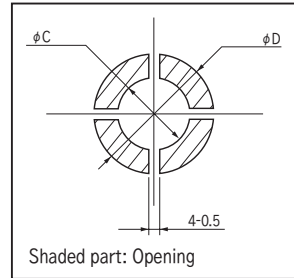
Please attach the land on the both sides.

Part No.	C	D
TH-1.6-□-M1.4	2.2	4.0
TH-1.6-□-M2	2.7	5.0
TH-1.6-□-M2.5	3.3	5.5
TH-1.6-□-M2.6	3.3	5.5
TH-1.6-□-M3	3.7	6.0

· If it is bigger than the recommended fitting through hole (ϕC), the torque to the Y-direction (soldering face side) will be decreased. (As the flow of soldering to the through hole is reduced)

■ Recommended metal mask

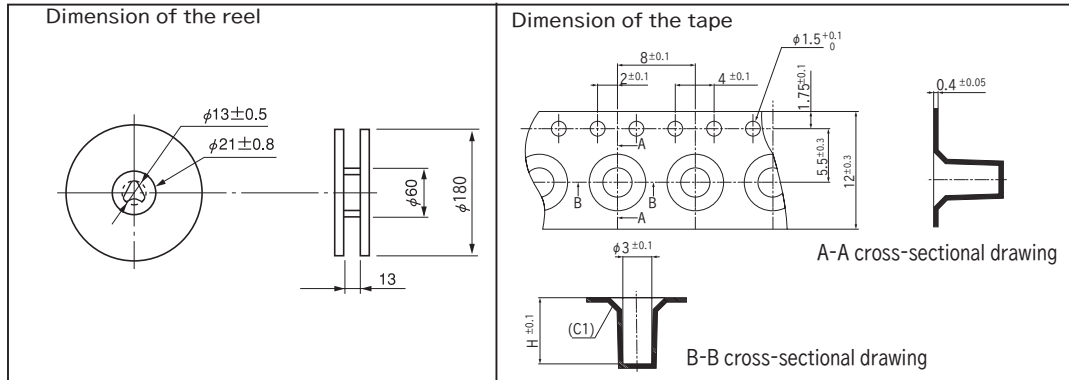
(Recommended metal mask thickness: 150 μm to 200 μm)



Shaded part: Opening

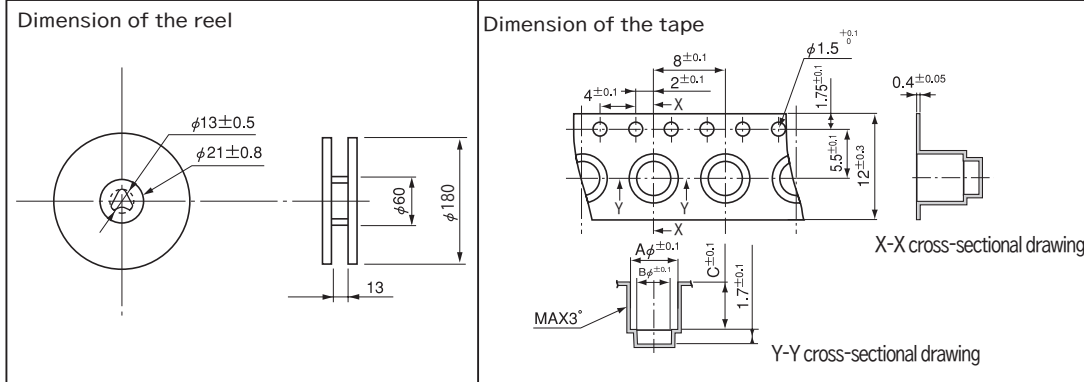
Part No.	C	D
TH-1.6-□-M1.4	2.2	4.0
TH-1.6-□-M2	2.7	5.0
TH-1.6-□-M2.5	3.3	5.5
TH-1.6-□-M2.6	3.3	5.5
TH-1.6-□-M3	3.7	6.0

■ Dimension of the reel (TH-1.6-□-M1.4)



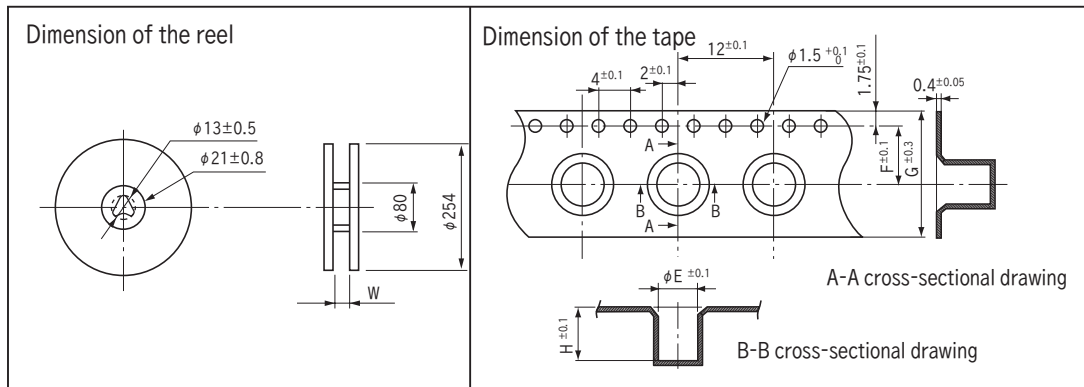
	H
TH-1.6-2.0-M1.4	3.8
TH-1.6-2.5 to 3.0-M1.4	4.8
TH-1.6-3.5 to 4.0-M1.4	5.8
TH-1.6-4.5 to 5.0-M1.4	6.8

■ Dimension of the reel (TH-1.6-0.5 to TH-1.6-5.0)



	C
TH-1.6-0.5 to 1.0	1.5
TH-1.6-1.5 to 2.0	2.3
TH-1.6-2.5 to 3.5	3.8
TH-1.6-4.0 to 5.0	5.3
	A B
M2 type	4.3 2.8
M2.5 type	4.8 3.4
M2.6 type	4.8 3.4
M3 type	5.3 3.8

■ Dimension of the reel (TH-1.6-5.5 to TH-1.6-10)



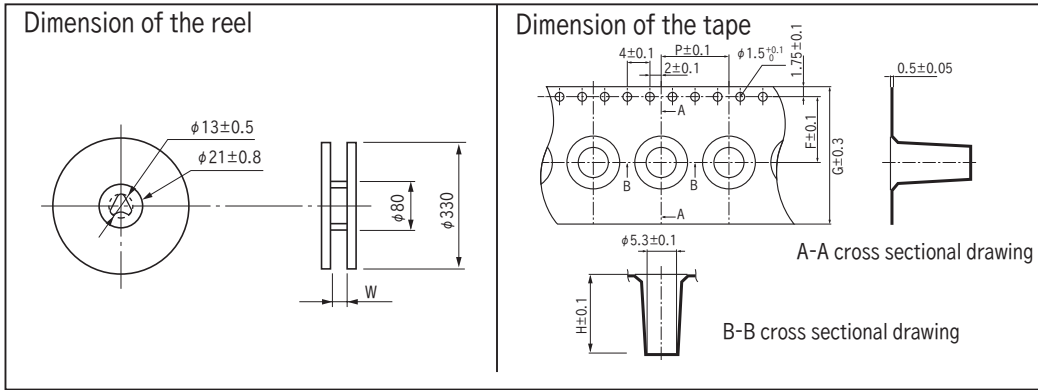
	H	W
TH-1.6-5.5 to 6.0	7.8	17.5
TH-1.6-6.5 to 7.0	8.8	17.5
TH-1.6-7.5 to 8.0	9.8	17.5
TH-1.6-8.5 to 9.0	10.8	17.5
TH-1.6-9.5 to 10	11.8	17.5
(M2.5, M2.6 type)		
TH-1.6-9.5 to 10	11.8	25.5
(M3 type)		

	E	F	G
M2 type	4.3	7.5	16
M2.5 type	4.8	7.5	16
M2.6 type	4.8	7.5	16
M3 type	5.3	7.5	16
(5.5 to 9.0)			
M3 type	5.3	11.5	24
(9.5 to 10)			

Through hole tap

TH-1.6 series specification

■ Dimension of the reel (TH-1.6-11-M3 to TH-1.6-16-M3)



	H	W	P	F	G
TH-1.6-11-M3	13.8	25.5	12	11.5	24
TH-1.6-12-M3	13.8	25.5	12	11.5	24
TH-1.6-13-M3	15.8	33.5	20	14.2	32
TH-1.6-14-M3	15.8	33.5	20	14.2	32
TH-1.6-15-M3	17.8	33.5	20	14.2	32
TH-1.6-16-M3	17.8	33.5	20	14.2	32