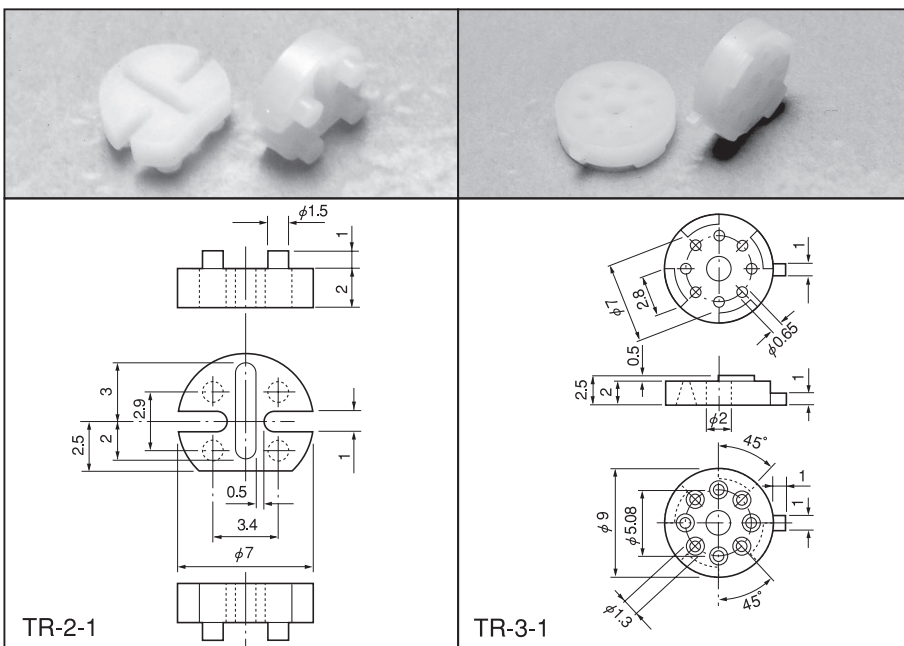
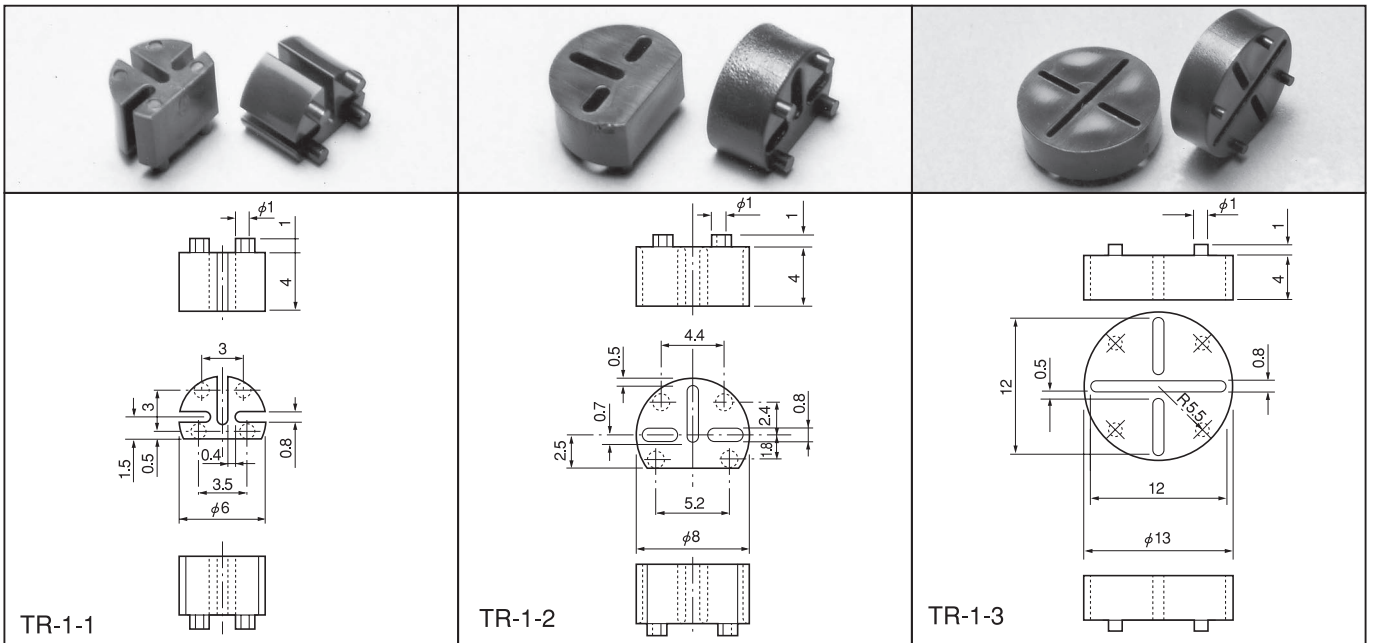
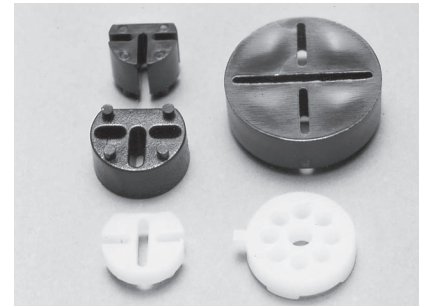


**Transistor spacer**

**TR series (100pcs/pack)**

- This is used for raising a transistor, etc. above a PC board.
- Material
  - TR-1 series  
Nylon black (UL94V-0)
  - TR-2, TR-3 series  
Polyacetal · Copolymer white (UL94HB)
- Operating temperature range:
  - TR-1 series: - 20 to + 125°C
  - TR-2, TR-3 series: - 40 to + 85°C



■ Example of usage

