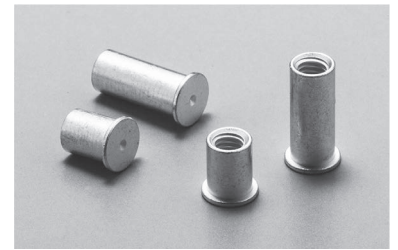


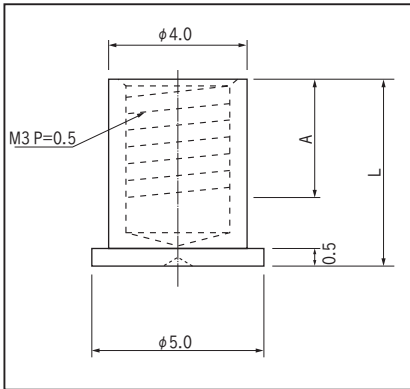
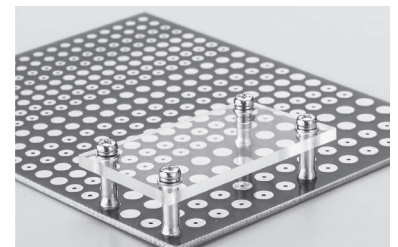
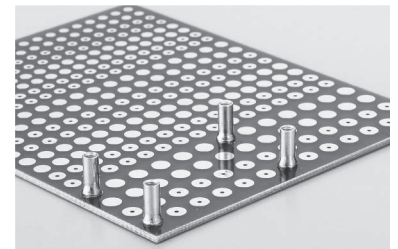
Spacer for surface mounting (M3 type)

3SSF series

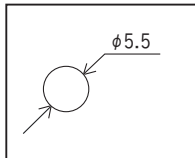
- A chip moulder can be used for this spacer.
- No adsorption film. Please directly adsorb.
- Please fit to the surface mounting board and solder by reflow.
- This can be used for various purposes such as fitting a panel, fitting to a housing and supplying of electric wire.
- Material: Brass
- Finish: Tin plating over nickel base



■ Example of usage



■ Recommended land information



■ Part No.

Part No.	A	L	Package	H (tape)
3SSF-5.5	3.5	5.5	Reel (450pcs/reel)	5.8
3SSF-5.5-B	3.5	5.5	Bulk (100pcs/pack)	—
3SSF-6.0	3.5	6.0	Reel (400pcs/reel)	6.8
3SSF-6.0-B	3.5	6.0	Bulk (100pcs/pack)	—
3SSF-6.5	4.0	6.5	Reel (400pcs/reel)	6.8
3SSF-6.5-B	4.0	6.5	Bulk (100pcs/pack)	—
3SSF-7.0	4.0	7.0	Reel (350pcs/reel)	7.8
3SSF-7.0-B	4.0	7.0	Bulk (100pcs/pack)	—
3SSF-7.5	4.0	7.5	Reel (350pcs/reel)	7.8
3SSF-7.5-B	4.0	7.5	Bulk (100pcs/pack)	—
3SSF-8.0	4.0	8.0	Reel (300pcs/reel)	8.8
3SSF-8.0-B	4.0	8.0	Bulk (100pcs/pack)	—
3SSF-8.5	4.0	8.5	Reel (300pcs/reel)	8.8
3SSF-8.5-B	4.0	8.5	Bulk (100pcs/pack)	—
3SSF-9.0	4.0	9.0	Reel (250pcs/reel)	9.8
3SSF-9.0-B	4.0	9.0	Bulk (100pcs/pack)	—
3SSF-9.5	4.0	9.5	Reel (250pcs/reel)	9.8
3SSF-9.5-B	4.0	9.5	Bulk (100pcs/pack)	—
3SSF-10	4.0	10	Reel (250pcs/reel)	10.8
3SSF-10-B	4.0	10	Bulk (100pcs/pack)	—

■ Tightening torque

3.0kgf-cm (29.4N-cm) or less

■ Recommended metal mask thickness

150 μ m to 200 μ m

■ Dimension of the reel

