

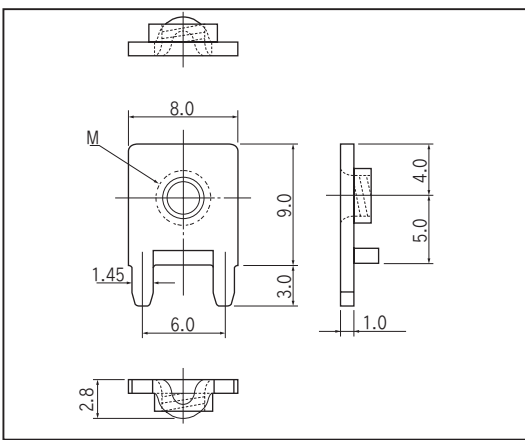
**Terminal for fitting crimping terminal / PC board**

**BX series (100pcs/pack)**

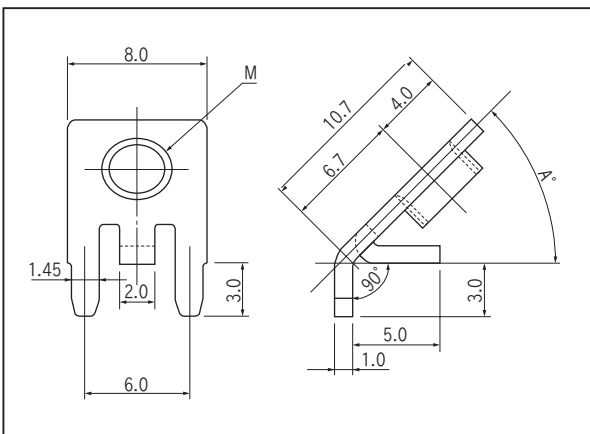
- Crimping terminal for M3 and M4 can be fit to this terminal.
- Vertical type (90 degrees) and tilted type (60 degrees, 45 degrees) are available for this terminal.
- PC board can be fit at 90, 60, or 45 degrees.
- Material: Brass
- Finish: Tin plating over nickel base
- Rated current: 25A

■ Part No.

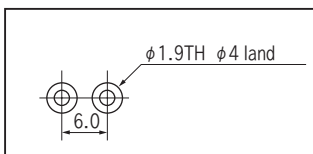
Part No.	M
BX-9-M3	M3 P = 0.5
BX-9-M4	M4 P = 0.7



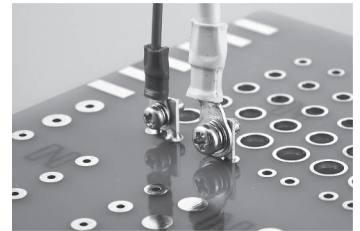
Part No.	A	M
BX-60-M3	60°	M3 P = 0.5
BX-60-M4	60°	M4 P = 0.7
BX-45-M3	45°	M3 P = 0.5
BX-45-M4	45°	M4 P = 0.7



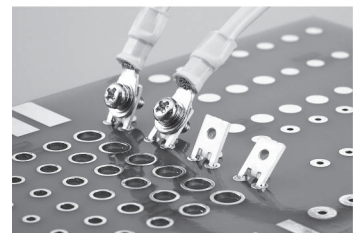
■ Recommended fitting hole for PC board



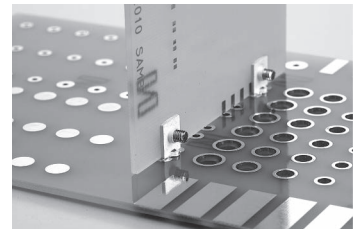
■ Example of usage



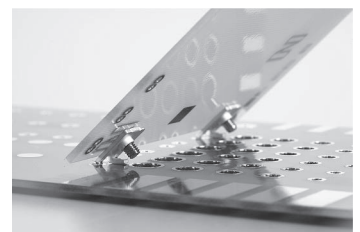
Example of fitting a crimping terminal (90 degrees)



Example of fitting a crimping terminal (60, 45 degrees)



Example of fitting a PC board (90 degrees)



Example of fitting a PC board (45 degrees)