

Power supply terminal for two-tiered installation

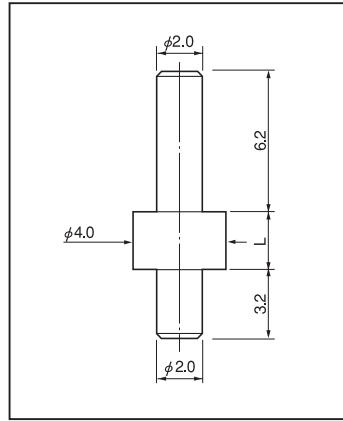
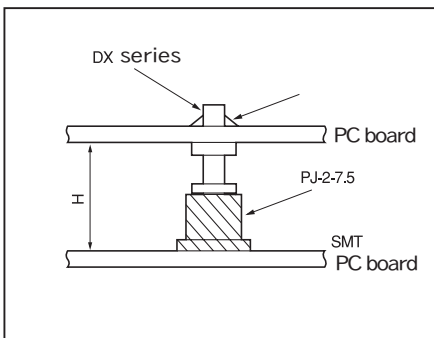
DX series (1000pcs/pack)

- This terminal can supply power by combining with PJ-2-7.5 to two-tiered PC boards.
- By combining with PD-191 to PD-199, it can supply power in the same manner as described above.
- Material: Copper
- Finish: Gold plating over nickel base
- Rated current: 30A

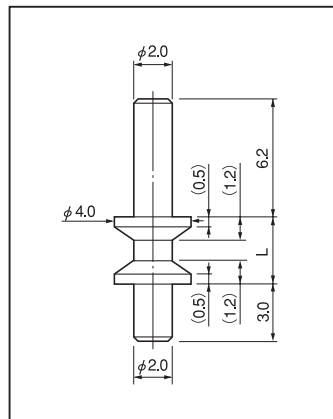
■ Part No.

Part No.	L	H
DX-1.5	1.5	9
DX-2.5	2.5	10
DX-3.5	3.5	11
DX-4.5	4.5	12
DX-5.5	5.5	13
DX-6.5	6.5	14
DX-7.5	7.5	15
DX-8.5	8.5	16
DX-9.5	9.5	17
DX-10.5	10.5	18
DX-12.5	12.5	20
DX-17.5	17.5	25
DX-22.5	22.5	30

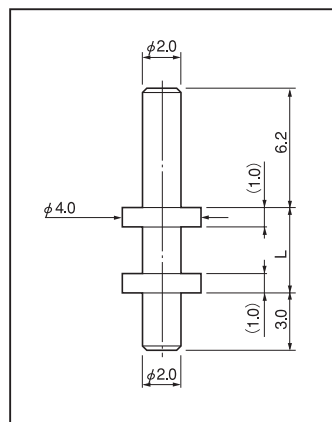
※ The dimension H is the distance between the two-tiered PC boards when DX series are combined with the socket PJ-2-7.5



DX-1.5
DX-2.5



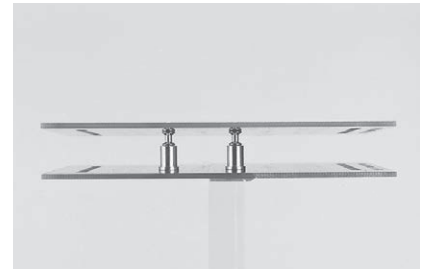
DX-3.5
DX-4.5



DX-5.5 to DX-22.5



■ Example of usage



When combined with PJ-2-7.5