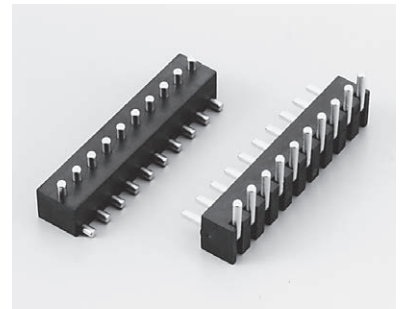


Angle type (fixed type) (for large current)

KZ series (10pcs/pack)

- The boards can be fit vertically.
- For this type, large current (30A) can be applied.
- This is used by soldering to both sides.
- Pitch: 5.08 mm, up to 10P connected
- Material Resin part: PPS black (UL94V-0)
Pin part: Copper
- Finish: Gold plating over nickel base
- Rated current: 30A
- Rated voltage: 250V AC, DC
- Withstand voltage: 2000V AC, DC per minute
- Insulation resistance: 500M Ω or over
- Operating temperature range: - 40 to + 125°C
- Printed board fitting hole diameter: φ 2.3

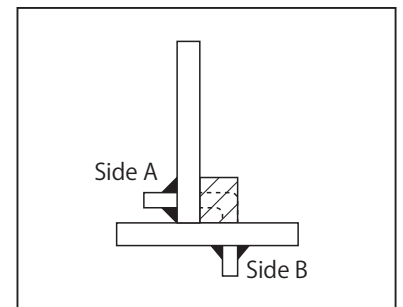
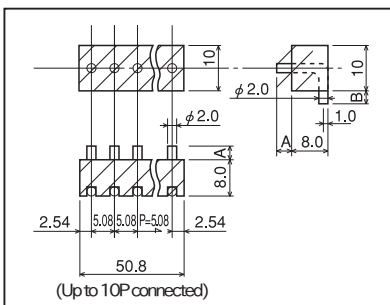


■ Example of usage



■ Part No.

Part No.	A	B	Side A Board thickness of the adaptive printed board	Side B Board thickness of the adaptive printed board
KZ-5-1	3	3	1.6	1.6
KZ-5-2	3	6.2	1.6	3.2
KZ-5-3	6.2	6.2	3.2	3.2
KZ-5-4	6.2	3	3.2	1.6



■ How to order:

KZ-5-1-5P



Please fill in the number of poles. (Maximum number: 10P)

(If the number is not specified, we will deliver the part of the maximum number of connection.)