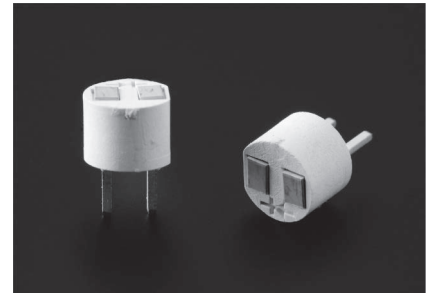


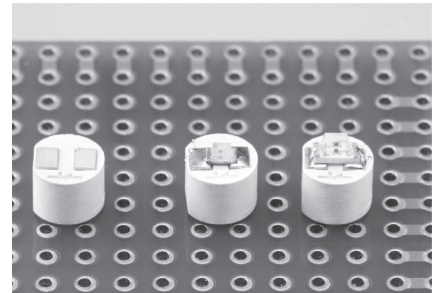
Spacer for surface mounting LED

Part No. **LY-3-4** (100pcs/pack)

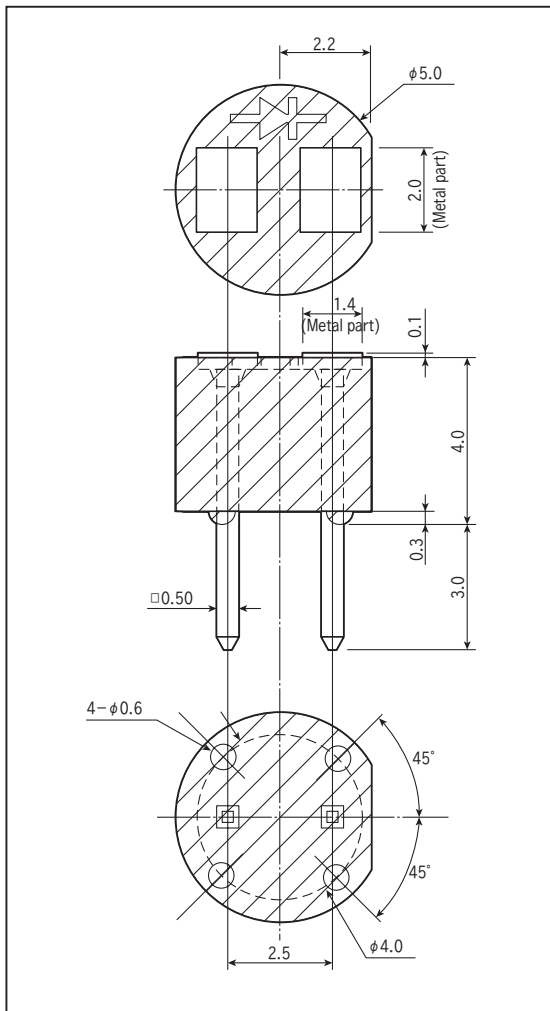
- This spacer is used for increasing the height of a surface mounting LED.
- This is used for easily handling a surface mounting LED in the same manner as an LED with lead.
- Please perform manual soldering of a surface mounting LED to a square-shaped electrode.
- Material Resin part: Liquid crystal polymer white (UL94V-0)
Metal part: Brass
- Finish: Tin plating over nickel base
- Operating temperature range: - 40 to + 100°C
- Adaptive LED: 2012, 3216, 2520, 3020 (Single-color emission type)



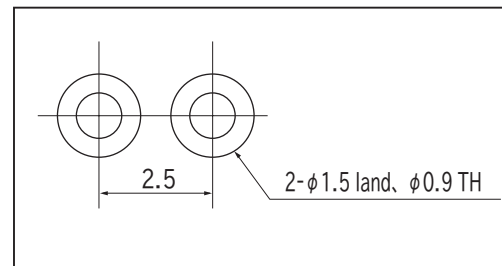
■ Example of usage



■ Dimension



■ Recommended land information



■ Part No.:

LY-3-4