

**Terminal for wiring (for surface mounting)**

**WTS series**

- Use for fixing cable to surface mounting board.
- Use as test point.
- Material : Brass
- Finish : Tin plating over nickel base

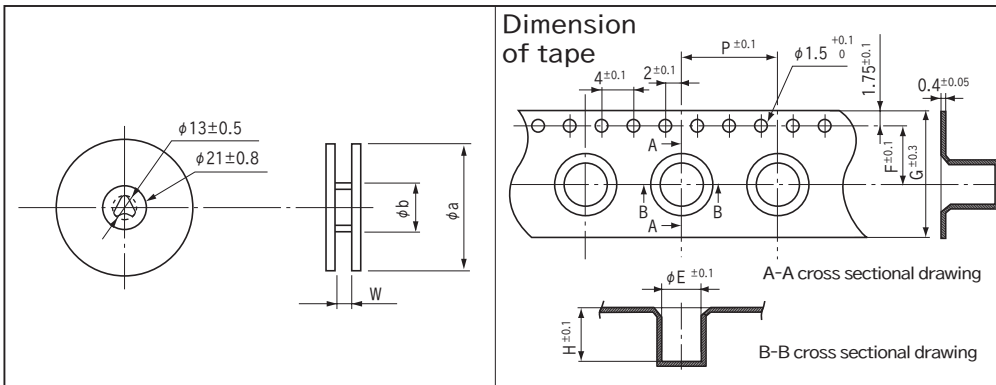


■ Part No.

WTS-3-4.5	WTS-3-6.5	WTS-4-7.5	WTS-4-9.5	WTS-5-7.5	WTS-5-10.5

Part No.	Rated current	a	b	W	P	F	G	E	H	Package
WTS-3-4.5	7A	180	60	13	8	5.5	12	3.0	4.8	400 (pcs/reel)
WTS-3-6.5	7A	180	60	13	8	5.5	12	3.0	6.8	300 (pcs/reel)
WTS-4-7.5	15A	254	80	17.5	12	7.5	16	4.3	7.8	350 (pcs/reel)
WTS-4-9.5	15A	254	80	17.5	12	7.5	16	4.3	9.8	300 (pcs/reel)
WTS-5-7.5	30A	254	80	17.5	12	7.5	16	5.3	7.8	350 (pcs/reel)
WTS-5-10.5	30A	254	80	17.5	12	7.5	16	5.3	10.8	250 (pcs/reel)

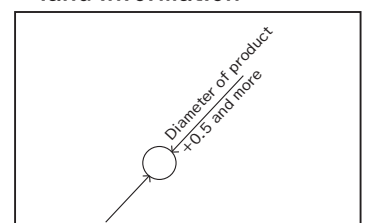
■ Dimension of reel



■ Example of usage



■ Recommended land information



■ Order bulk-package part

Example

WTS-3-4.5-B

↑ Please specify "-B".  
● 100pcs/pack