

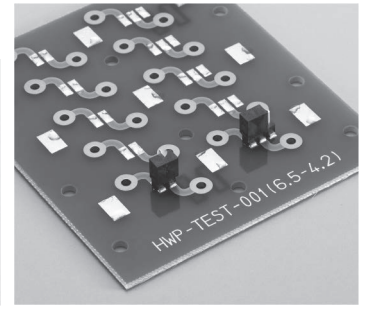
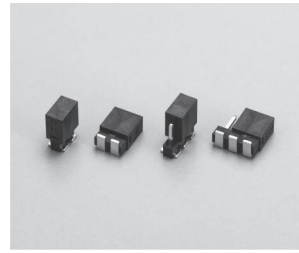
Tape-and-reel with a combination of HWP-(2P, 3P)-G and JS-1A

**HWP-2-J-G, HWP-3-J-G**

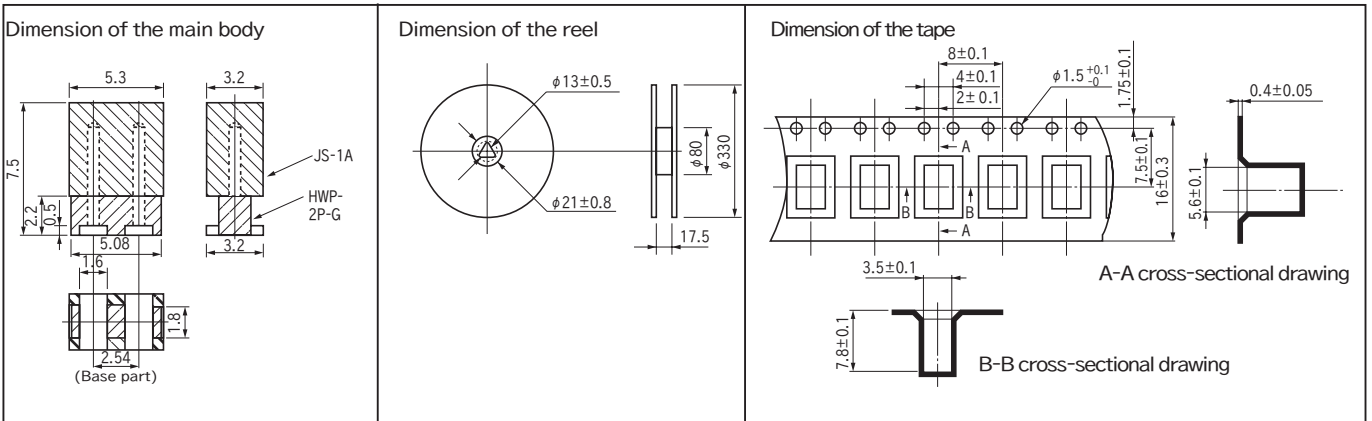
- This product is packed in tape and reel with JS-1A being inserted into HWP-2P-G, HWP-3P-G.
- This can be mounted on a board by using a mouter and then carry out reflow soldering.

■ Part No.

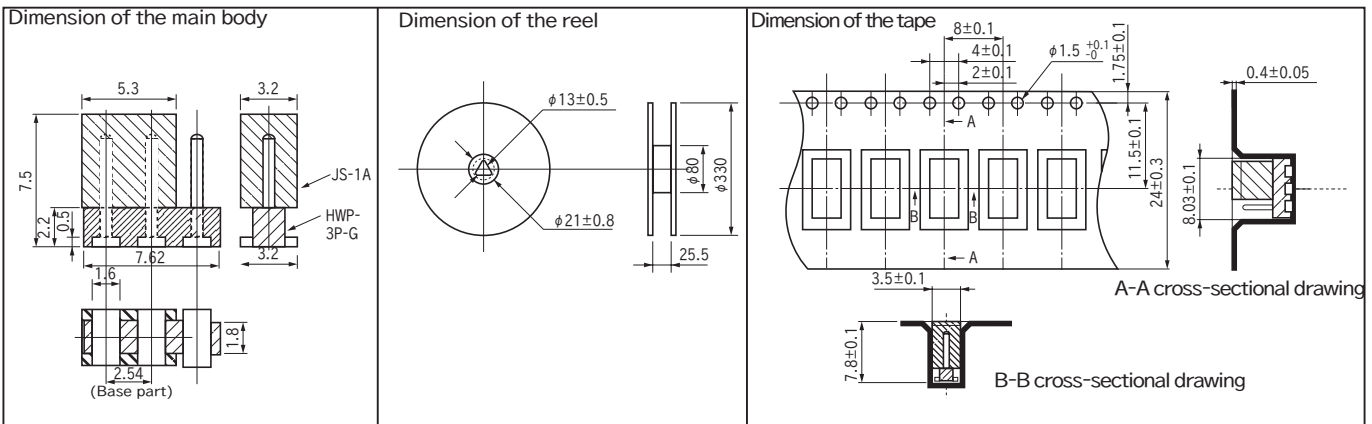
Part No.	Package
HWP-2-J-G	Reel (800pcs)
HWP-3-J-G	Reel (800pcs)



■ HWP-2-J-G



■ HWP-3-J-G



Jumper socket (Pitch: 2.54 mm)

**JS-1A** (100pcs/pack)

- This is for replacing the jumper socket of HWP-2-J-G and HWP-3-J-G.
- Material Contact part: Phosphor bronze, Resin part: LCP Black (UL94V-0)
- Finish Contact part [Touching part]: Gold plating over nickel base  
[Excluding the touching part]: Nickel plating
- Rated current: 3A
- Rated voltage: 250V AC,DC
- Contact resistance: 20m Ω or less
- Adaptive male pin: □0.64, P=2.54mm
- Insertion / removal forces: 70g or over
- Operating temperature range: - 40 to + 125°C

