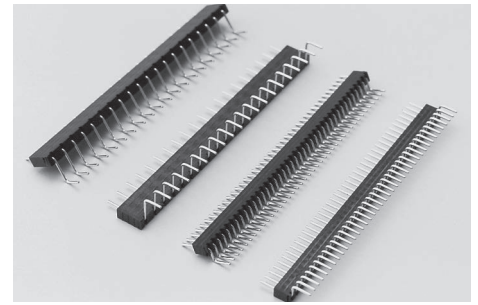


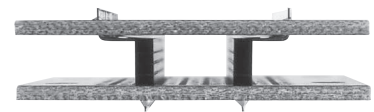
Pitch conversion pin

MV series (10pcs/pack)

- This is used for handling a mistake in the pitch width of a PC board or for converting the pitch width.
- Various usages are available.
- Two types, of pitch (1.27mm and 2.54mm) are available.
- Two types, of pitch (2.54mm and 5.08mm) are available.
- Material Resin part: PCT black (UL94V-0)
Pin part: Phosphor bronze
- Finish: Gold plating over nickel base
- Rated current: 2A
- Insulation resistance: 500M Ω or over
- Withstand voltage: 1000V AC, DC per minute (MV-3□ - □ series)
700V AC, DC per minute (MV-1□ - □ series)
- Printed board fitting hole diameter: φ 0.6



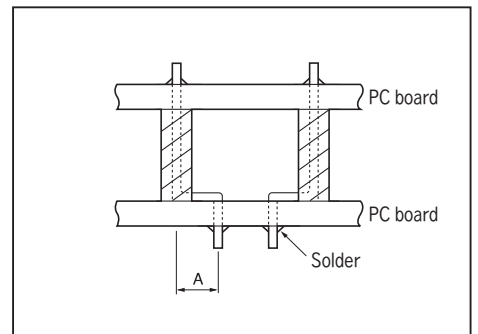
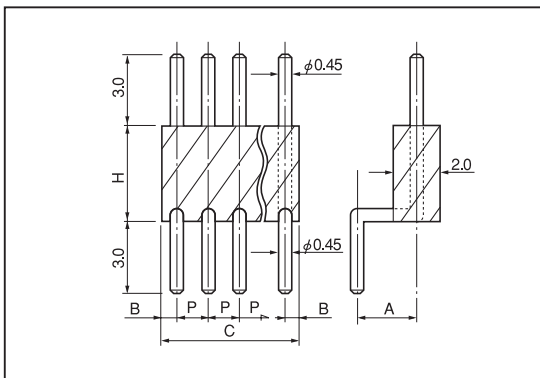
■ Example of usage



■ How to order:

MV-13-3-10P

↑ Please fill in the number of poles.
(If the number is not specified, we will deliver the part of the maximum number of connection.)



Part No.	H	A	B	C	P	Maximum number of poles connected
MV-13-3	3	2.54	0.635	50.8	1.27	40
MV-13-4	4	2.54	0.635	50.8	1.27	40
MV-13-5	5	2.54	0.635	50.8	1.27	40
MV-16-3	3	5.08	0.635	50.8	1.27	40
MV-16-4	4	5.08	0.635	50.8	1.27	40
MV-16-5	5	5.08	0.635	50.8	1.27	40
MV-33-3	3	2.54	1.27	50.8	2.54	20
MV-33-4	4	2.54	1.27	50.8	2.54	20
MV-33-5	5	2.54	1.27	50.8	2.54	20
MV-36-3	3	5.08	1.27	50.8	2.54	20
MV-36-4	4	5.08	1.27	50.8	2.54	20
MV-36-5	5	5.08	1.27	50.8	2.54	20