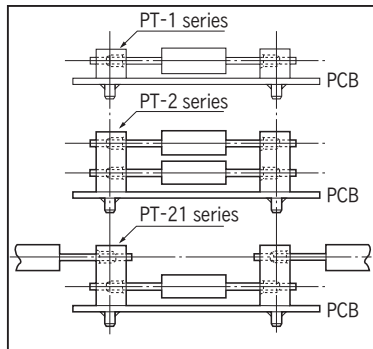


Side socket

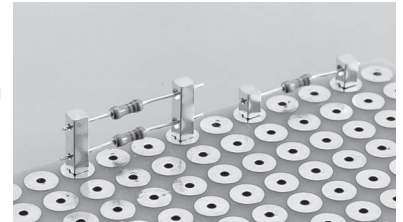
PT series (100pcs/pack)

- This socket can be inserted from the side.
- Three types: one-tiered type, two-tiered type and the type for inserting from opposite directions, are available.
- This is used for adjusting the lead type parts such as resistor and capacitor.
- This can be also fit to OP series.
- Material Body: Brass
Contact: Beryllium copper
- Finish Body: Gold plating over nickel base
Contact: Gold plating over nickel base
- Rated current:
 - PT-□ -0.6.....2A
 - PT-□ -0.8.....5A
 - PT-□ -1.0.....5A
- Contact resistance: 10m Ω or less
- Insertion / removal durability: 100 cycle
- Insertion / removal forces: 70g or over
- Operating temperature range: - 40 to + 125°C

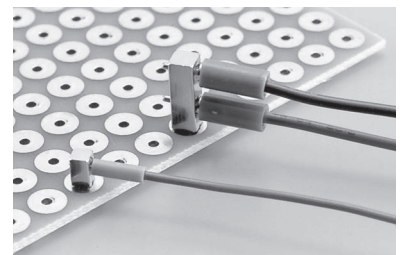
■ Example of usage



■ Example of usage

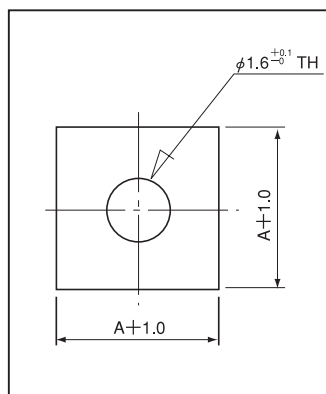


Case of fitting a resistor

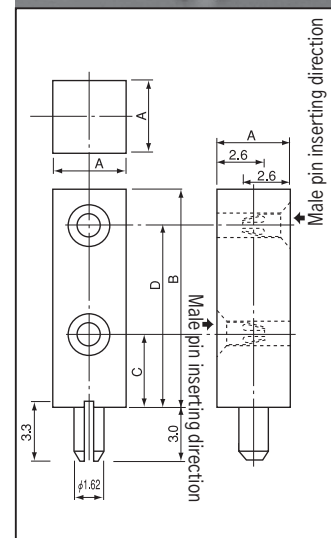
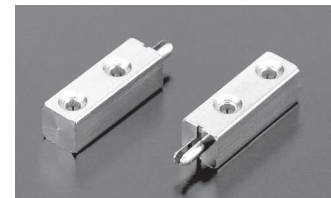
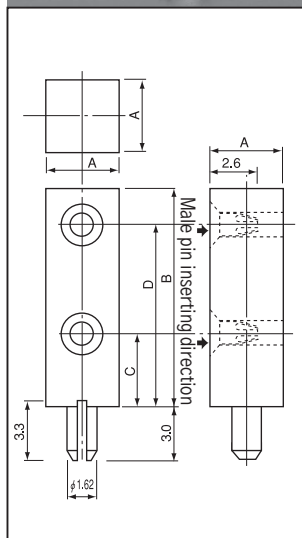
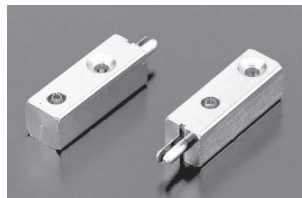
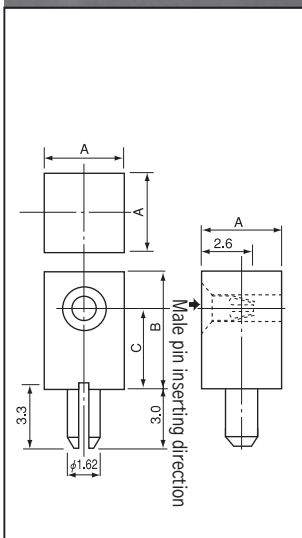
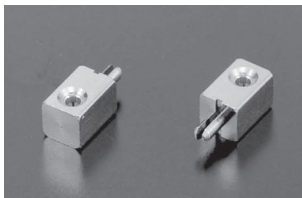


Case of fitting OP series

■ Recommended land information



■ Part No. (100pcs/pack)



Part No.	A	B	C	Adaptive male pin diameter
PT-1-0.6	3	5	3	φ 0.45 to φ 0.6
PT-1-0.8	4	6	4	φ 0.6 to φ 0.8
PT-1-1.0	4	6	4	φ 0.8 to φ 1.0

Part No.	A	B	C	D	Adaptive male pin diameter
PT-2-0.6	3	11	3	9	φ 0.45 to φ 0.6
PT-2-0.8	4	12	4	10	φ 0.6 to φ 0.8
PT-2-1.0	4	12	4	10	φ 0.8 to φ 1.0

Part No.	A	B	C	D	Adaptive male pin diameter
PT-21-0.6	3	11	3	9	φ 0.45 to φ 0.6
PT-21-0.8	4	12	4	10	φ 0.6 to φ 0.8
PT-21-1.0	4	12	4	10	φ 0.8 to φ 1.0

* Please implement soldering securely to the height of part surface.