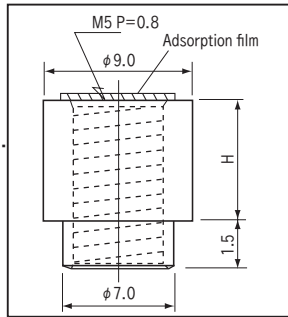


Through hole tap (M5 type)

TH-1.6-□-M5 series

- A chip mounter can be used for this spacer.
- A spacer can be fit on a PC board just by automatically loading it on the PC board and carrying out reflow.
- It can be fit from the part face, soldering face and both sides.
- Tape-and-reel has an adsorption film. Please remove by pushing it from the opposite side after reflow.
- The jig for removing adsorption films (Part No.: TH-JIG) is available.
- Material: Brass
- Finish: Tin plating over nickel base
- Rated current: 50A
- Tightening torque: 15kgf-cm (147N-cm) or less Adaptive printed board thickness: t1.6 or over (There is no problem if it is used for other board thickness.)
- Please use the automatic mounter of automatic recognition type.

■ Dimension



■ Example of usage

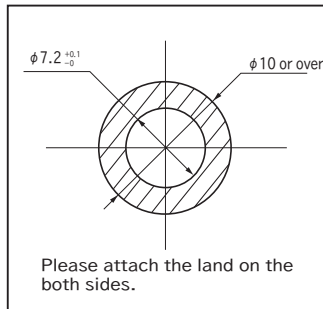


With the M5 solderless terminal attached

■ Part No.

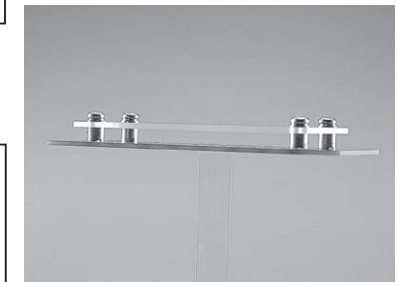
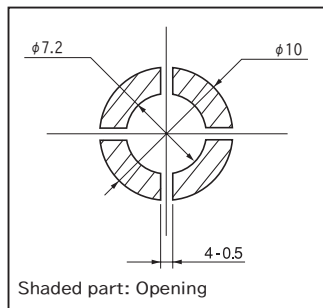
Part No.	H	quantity per reel
TH-1.6-2.0-M5	2.0	500 pcs
TH-1.6-2.5-M5	2.5	400 pcs
TH-1.6-3.0-M5	3.0	400 pcs
TH-1.6-3.5-M5	3.5	350 pcs
TH-1.6-4.0-M5	4.0	350 pcs
TH-1.6-4.5-M5	4.5	300 pcs
TH-1.6-5.0-M5	5.0	300 pcs
TH-1.6-5.5-M5	5.5	250 pcs
TH-1.6-6.0-M5	6.0	250 pcs
TH-1.6-6.5-M5	6.5	200 pcs
TH-1.6-7.0-M5	7.0	200 pcs
TH-1.6-7.5-M5	7.5	200 pcs
TH-1.6-8.0-M5	8.0	200 pcs
TH-1.6-8.5-M5	8.5	150 pcs
TH-1.6-9.0-M5	9.0	150 pcs
TH-1.6-9.5-M5	9.5	150 pcs
TH-1.6-10-M5	10	150 pcs

■ Recommended land information



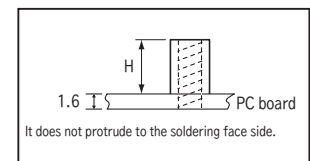
■ Recommended metal mask

(Recommended metal mask thickness: 150 μm to 200 μm)

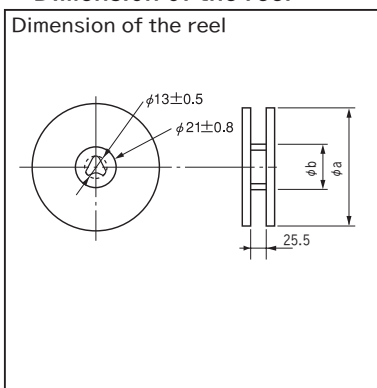


Condition of fitting the panel to the printed board

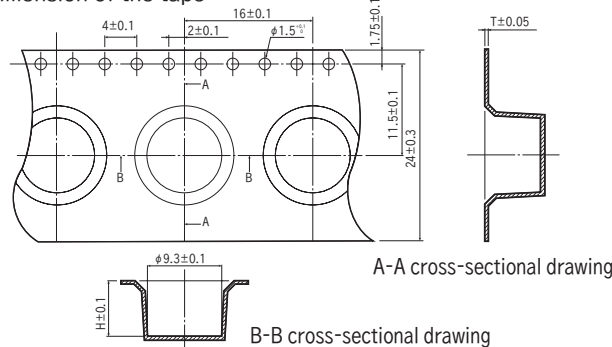
■ Condition of fitting to the PC board



■ Dimension of the reel



Dimension of the tape



Part No.	Reel		Tape	
	a	b	T	H
TH-1.6-2.0-M5	254	80	0.4	3.8
TH-1.6-2.5-M5	254	80	0.4	4.8
TH-1.6-3.0-M5	254	80	0.4	4.8
TH-1.6-3.5-M5	254	80	0.4	5.8
TH-1.6-4.0-M5	254	80	0.4	5.8
TH-1.6-4.5-M5	254	80	0.4	6.8
TH-1.6-5.0-M5	254	80	0.4	6.8
TH-1.6-5.5-M5	254	80	0.4	7.8
TH-1.6-6.0-M5	254	80	0.4	7.8

Part No.	Reel		Tape	
	a	b	T	H
TH-1.6-6.5-M5	254	80	0.4	8.8
TH-1.6-7.0-M5	254	80	0.4	8.8
TH-1.6-7.5-M5	254	80	0.4	9.8
TH-1.6-8.0-M5	254	80	0.4	9.8
TH-1.6-8.5-M5	254	80	0.5	10.8
TH-1.6-9.0-M5	254	80	0.5	10.8
TH-1.6-9.5-M5	254	80	0.5	11.8
TH-1.6-10-M5	254	80	0.5	11.8

■ To order bulk product

TH-1.6-3.0-M5-B

↑ Please specify -B.

- 100 pieces are included in 1 pack.
- Adsorption films are not put on the bulk products.
- ▲ Use of a through hole tap is limited to a through hole board. (It is impossible to use it for a one-sided board and non through hole board.)