

Spacer for surface mounting (inch type)

SSB series

- A chip mounter can be used for this spacer.
- Please fit to the surface mounting board and solder by reflow.
- This can be used for various purposes such as fitting of a panel, fitting to a housing, and supplying of electric wire.
- Please remove the adsorption film after reflow.
- The jig for removing adsorption films (Part No.: TH-JIG) is available.
- Material: Brass
- Finish: Tin plating over nickel base
- Tap: No 2-56 type P = 0.4536
No 4-40 type P = 0.6350

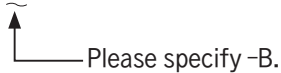
Part No.	A	B	L	M	Package
SSB-2.5 (2-56)	3.5	4.5	2.5	2-56	Reel (500pcs/reel)
SSB-3.0 (2-56)	3.5	4.5	3.0	2-56	Reel (500pcs/reel)
SSB-3.5 (2-56)	3.5	4.5	3.5	2-56	Reel (400pcs/reel)
SSB-4.0 (2-56)	3.5	4.5	4.0	2-56	Reel (400pcs/reel)
SSB-4.5 (2-56)	3.5	4.5	4.5	2-56	Reel (350pcs/reel)
SSB-5.0 (2-56)	3.5	4.5	5.0	2-56	Reel (350pcs/reel)
SSB-2.5 (4-40)	4.0	5.0	2.5	4-40	Reel (500pcs/reel)
SSB-3.0 (4-40)	4.0	5.0	3.0	4-40	Reel (500pcs/reel)
SSB-3.5 (4-40)	4.0	5.0	3.5	4-40	Reel (400pcs/reel)
SSB-4.0 (4-40)	4.0	5.0	4.0	4-40	Reel (400pcs/reel)
SSB-4.5 (4-40)	4.0	5.0	4.5	4-40	Reel (350pcs/reel)
SSB-5.0 (4-40)	4.0	5.0	5.0	4-40	Reel (350pcs/reel)

■ **Tightening torque**

- SSB-□ (2-56)3.0kgf-cm (29.4N-cm) or less
- SSB-□ (4-40)3.0kgf-cm (29.4N-cm) or less

- We also sell the bulk product (without adsorption film).

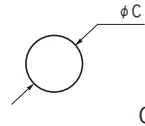
SSB-3.0 (4-40) -B 100pcs/pack



■ **Instructions for use**

- Solder may go up to the screw part. Therefore, the screw on the PC board side may become hard by 1 to 2 threads.
- Please use it with the specified tightening torque or less.
- Making the metal mask thickness thicker is effective for increasing the torque.

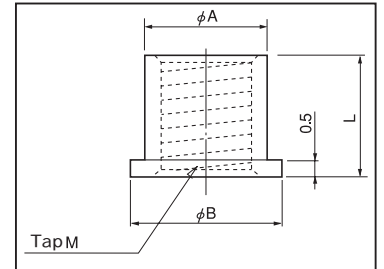
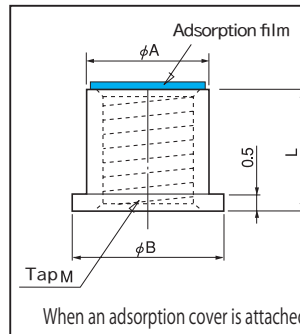
■ **Recommended land information**



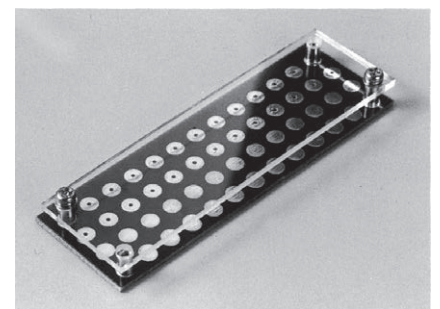
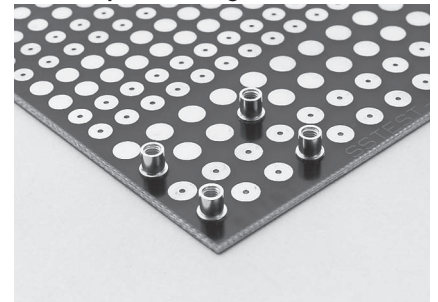
- SSB-□ (2-56) 5.0
- SSB-□ (4-40) 5.5

■ **Recommended metal mask thickness**

150 μm to 200 μm



■ **Example of usage**



- SSB-2.5-3.0 (2-56) } 3.4
- SSB-2.5-3.0 (4-40) } 3.4
- SSB-3.5-4.0 (2-56) } 4.4
- SSB-3.5-4.0 (4-40) } 4.4
- SSB-4.5-5.0 (2-56) } 5.4
- SSB-4.5-5.0 (4-40) } 5.4

