

Power supply terminal for surface mounting (For M5)

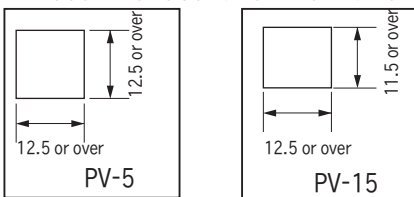
PV-5, PV-15 series

- This is used for supplying power to a surface mounting board.
- Please fit a crimping terminal (for M5) at the edge of electric wire and tighten it with a M5 screw.
- Material: Copper
- Finish: Tin plating over nickel base
- Rated current: 60A

■ Part No.

Part No.	Package
PV-5	Bulk (100pcs/pack)
PV-5-T	Reel (200pcs/reel)
PV-15	Bulk (100pcs/pack)
PV-15-T	Reel (200pcs/reel)

■ Recommended land information



■ Recommended metal mask thickness

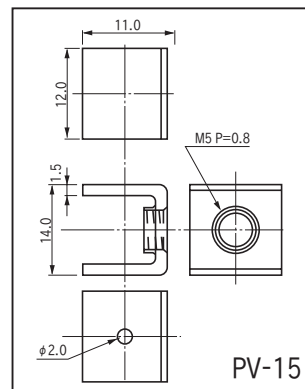
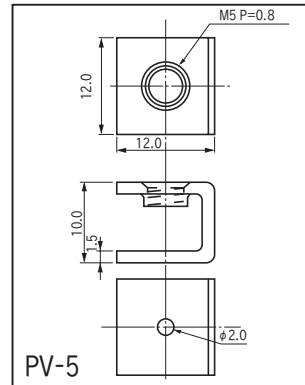
150 μm to 200 μm

■ Tightening torque

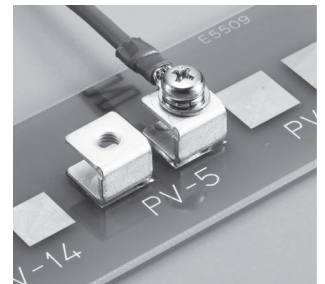
15kgf-cm (147N-cm) or less

■ Instructions for use

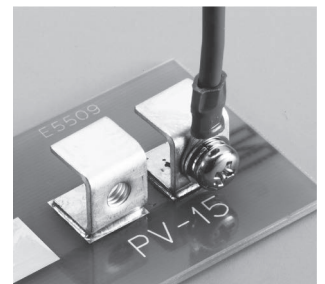
Adsorption film is put on the screw head part of PV-5-T.
Please remove the film after reflow.



■ Example of usage

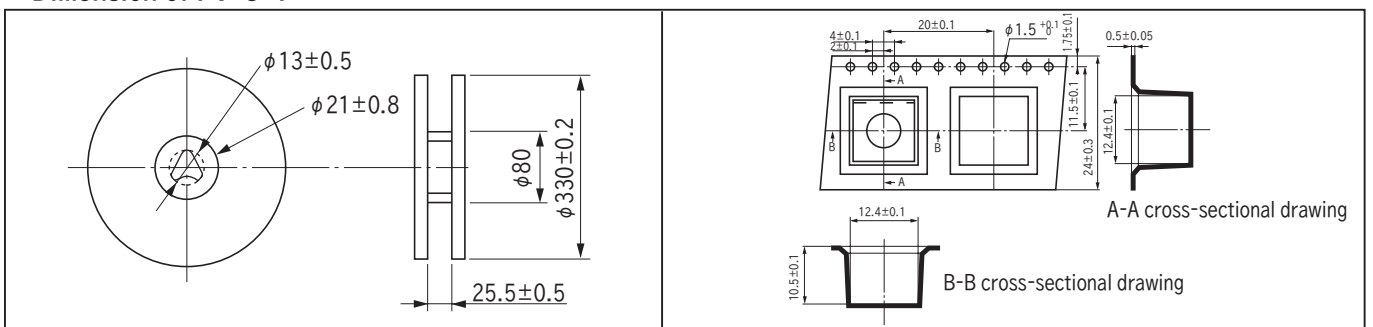


PV-5



PV-15

■ Dimension of PV-5-T



■ Dimension of PV-15-T

