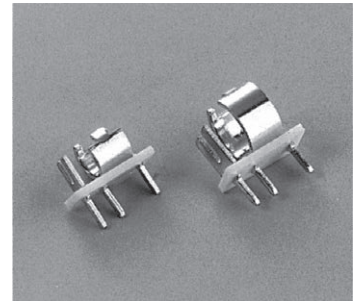


Pin for coaxial cable horizontal installation

CY series (100pcs/pack)

- This is used for fitting coaxial cable in parallel to a PC board.
- Please solder the core wire and tighten and fix the shield side with pliers.
- Material Metal part: Brass, Tin plating over nickel base
Resin part: Fluorine (UL94V-0)
- Printed board fitting hole diameter: ϕ 1.2 to ϕ 1.3



Part No.	A	B	C	D	E	Adaptive coaxial cable
CY-1-1	3.0	0.8	3.0	4.0	3.7	1.5C-2V
CY-3-1	4.0	1.0	4.0	5.5	6.7	3C-2V

■ How to use

