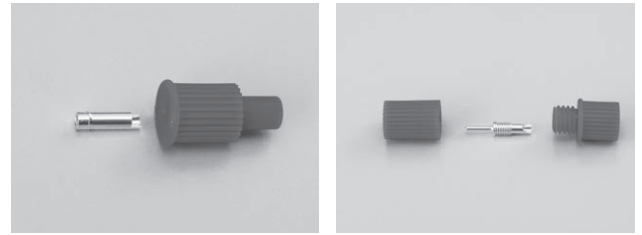
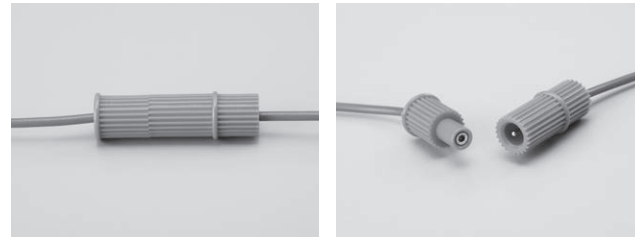


Insulation plug

OPR series, ORR series (1set/pack)

- This plug has a male pin and socket whose metal part is not exposed to the outside.
- Material Metal part: Brass
Contact part: Beryllium copper
Resin part: Acetal copolymer
(Color: BLACK, RED, WHITE, GREEN, YELLOW, BLUE)
- Finish: Gold plating over nickel base
- Rated current: 5A
- Withstand voltage: 1000V AC, DC per minute
- Contact resistance: 10m Ω or less
- Insertion / removal durability : 100 cycles
- Insertion / removal forces: 100g or over
- Operating temperature range: - 40 to + 85°C



Part No.

ORR-1

(Set contents: ORR-1-M and OR-5-2-P)

OPR-1

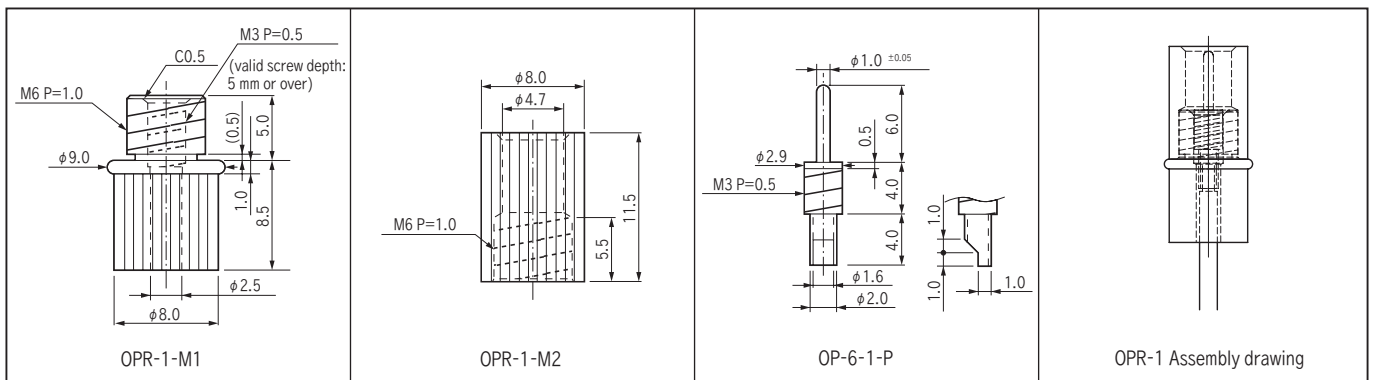
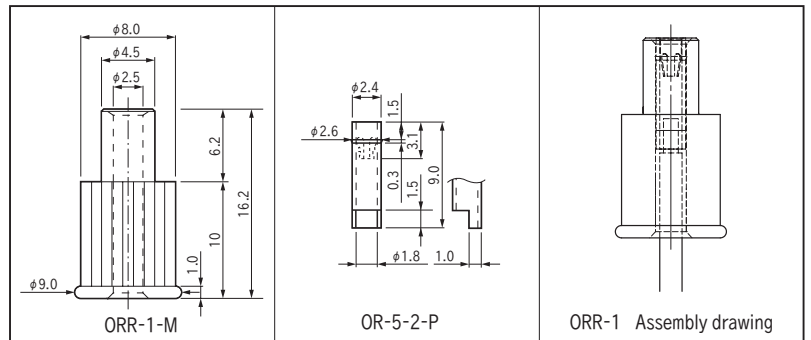
(Set contents: OPR-1-M1, OPR-1-M2 and OP-6-1-P)

How to use

- ① Solder the electric wire to the two metal parts.*
- ② Tighten OP-6-1-P to OPR-1-M1.
- ③ Tighten OPR-1-M2 to ②.
- ④ Press-fit OR-5-2-P to ORR-1-M.

- * Instructions for electric wire soldering (contact side)
- Please prevent the solder from going to the contact part.
 - If the electric wire is deeply inserted and soldering is carried out, inserting of the male pin will be disabled.

Dimension



How to order

ORR-1 RED ← Please specify the resin color.
(BLACK, RED, WHITE, GREEN, YELLOW, BLUE)