

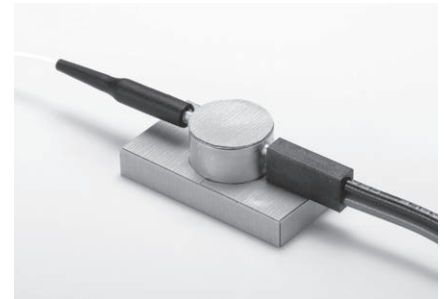
Laser diode socket

LDS-0.8-2P series (1pcs/pack)

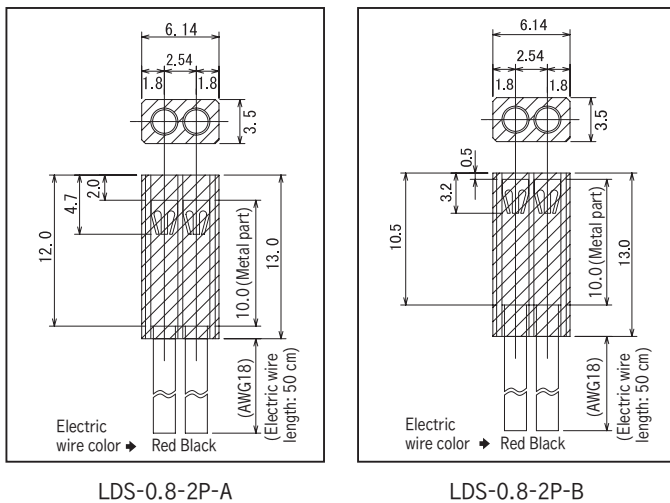
- This socket is for laser diode.
- Electric wire of 50 cm is attached to one side.
- Material
 - Housing: PPS resin black (UL94V-0)
 - Socket Body: Brass
 - Contact: Beryllium copper
- Finish: Gold plating over nickel base
- Rated current: 14A
- Rated voltage: 20V AC, DC
- Insulation resistance: 500 M Ω or over
- Withstand voltage: 500V AC, DC per minute
- Contact resistance: 10 m Ω or less (per pin)
- Insertion / removal durability : 100 cycles
- Fitting electric wire: AWG18
- Operating temperature range: - 40 to + 80°C
- Adaptive male pin diameter: φ 0.6 to φ 0.8



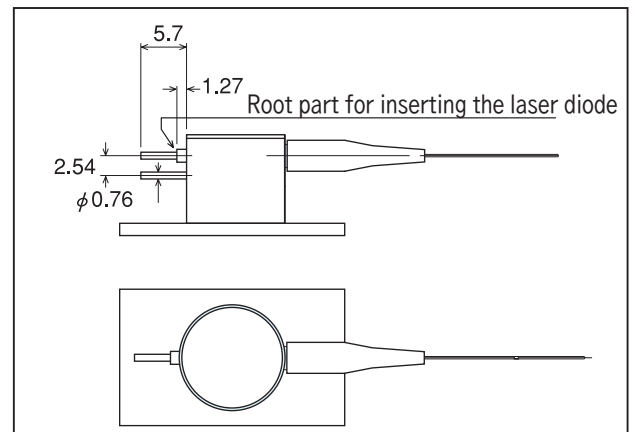
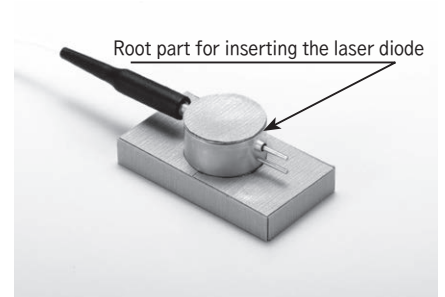
■ Example of usage



■ Dimension



■ Adaptive laser



The corresponding connector part number differs depending on the laser diode type.

Please choose the connector part number after checking the diameter of the root part for inserting of the actual laser diode product.

■ How to order

Part No.	Part No.
Root part for inserting φ 2.0 or less	LDS-0.8-2P-A
φ 2.3 or over	LDS-0.8-2P-B

- Although the standard product has the electric wire of 50 cm long, we can manufacture a longer one, if necessary. Please contact us.
- We can manufacture the product with different electric wire color. Please contact us.