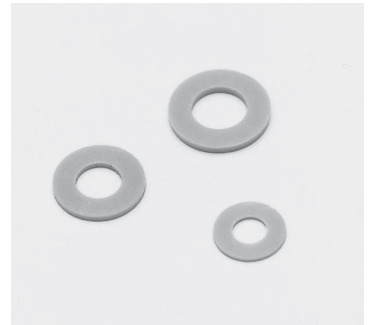


**Flat washer for insulation (PPS)**

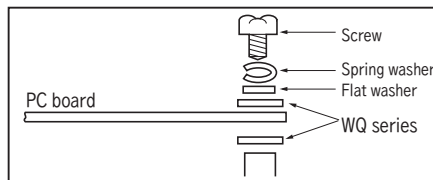
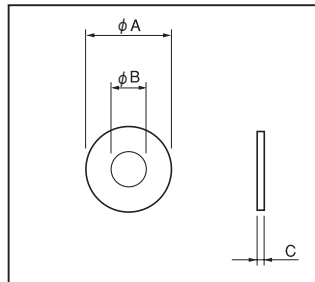
**WQ series** (100pcs/pack)

- When the pattern is close to the screw hole of a PC board, the insulation washer is used for preventing a short.
- Material: PPS (UL94V-0)
- Color: BROWN
- Operating temperature range: - 40 to + 200°C



■ Part No.

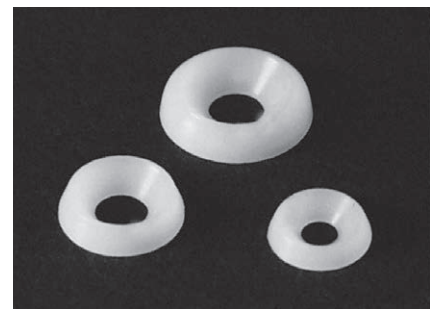
Part No.	A	B	C	Screw to use
WQ-3	7	3.2	0.5	For M3
WQ-4	9	4.3	0.8	For M4
WQ-5	10	5.3	1.0	For M5



**Mountain-shaped washer**

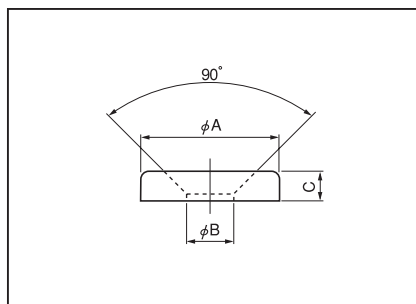
**WE series** (100pcs/pack)

- This is used for tightening a screw on a panel, tightening a screw on a position where a PC board pattern is going through, etc.
- Material: 6 nylon (UL94V-2)
- Color: Milky white
- Operating temperature range: - 20 to + 85°C



■ Part No.

Part No.	A	B	C
WE-3	9	3.3	2.1
WE-4	11	4.5	2.8
WE-5	14	5.5	3.3



■ Example of usage

