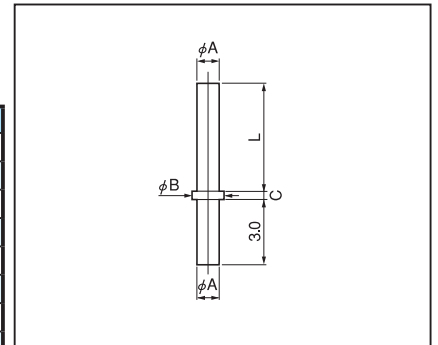
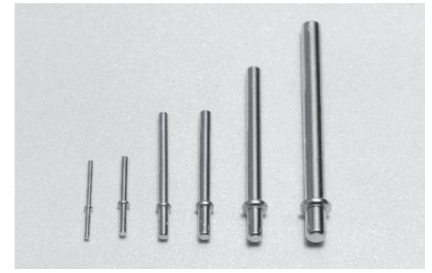


Terminal for hybrid IC

CD series (1000pcs/pack)

- Please use this for check, hybrid IC, and male pins, etc.
- Material Brass,
Phosphor bronze (CD-2, CD-3, CD-4 only)
- Finish: Gold plating over nickel base
- Rated current:
 - CD-2 series: 1A
 - CD-3 series: 2A
 - CD-4 series: 2A
 - CD-5 series: 3A
 - CD-7 series: 4A
 - CD-10 series: 7A
 - CD-12 series: 10A
 - CD-14 series: 11A
 - CD-15 series: 12A
 - CD-20 series: 15A



Part No.	A	B	C	L
CD-2-3	0.2	0.4	0.1	3
CD-2-5	0.2	0.4	0.1	5
CD-3-3	0.3	0.6	0.15	3
CD-3-5	0.3	0.6	0.15	5
CD-3-8	0.3	0.6	0.15	8
CD-3-10	0.3	0.6	0.15	10
CD-3-15	0.3	0.6	0.15	15
CD-4-3	0.4	0.7	0.2	3
CD-4-5	0.4	0.7	0.2	5
CD-4-8	0.4	0.7	0.2	8
CD-4-10	0.4	0.7	0.2	10
CD-4-15	0.4	0.7	0.2	15
CD-4-20	0.4	0.7	0.2	20
CD-5-5	0.5	0.8	0.2	5
CD-5-10	0.5	0.8	0.2	10
CD-5-15	0.5	0.8	0.2	15
CD-5-20	0.5	0.8	0.2	20
CD-7-5	0.7	1.2	0.3	5
CD-7-10	0.7	1.2	0.3	10
CD-7-15	0.7	1.2	0.3	15
CD-7-20	0.7	1.2	0.3	20
CD-10-5	1.0	1.5	0.3	5
CD-10-10	1.0	1.5	0.3	10
CD-10-15	1.0	1.5	0.3	15
CD-10-20	1.0	1.5	0.3	20
CD-12-5	1.2	1.8	0.5	5
CD-12-10	1.2	1.8	0.5	10
CD-12-15	1.2	1.8	0.5	15
CD-12-20	1.2	1.8	0.5	20
CD-14-5	1.4	2.0	0.5	5
CD-14-6	1.4	2.0	0.5	6
CD-14-10	1.4	2.0	0.5	10
CD-14-15	1.4	2.0	0.5	15
CD-14-20	1.4	2.0	0.5	20
CD-15-5	1.5	2.5	0.5	5
CD-15-10	1.5	2.5	0.5	10
CD-15-15	1.5	2.5	0.5	15
CD-15-20	1.5	2.5	0.5	20
CD-20-5	2.0	3.0	0.5	5
CD-20-6.5	2.0	3.0	0.5	6.5
CD-20-10	2.0	3.0	0.5	10
CD-20-15	2.0	3.0	0.5	15
CD-20-20	2.0	3.0	0.5	20