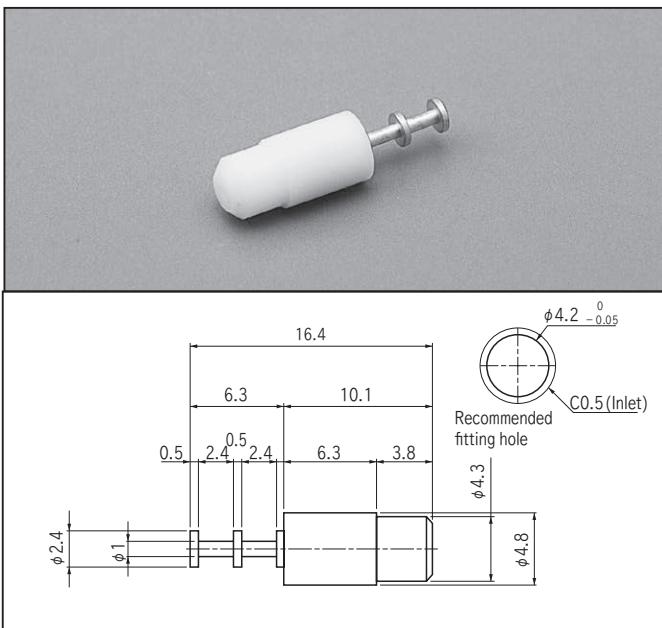


Fluorine terminal for high withstand voltage

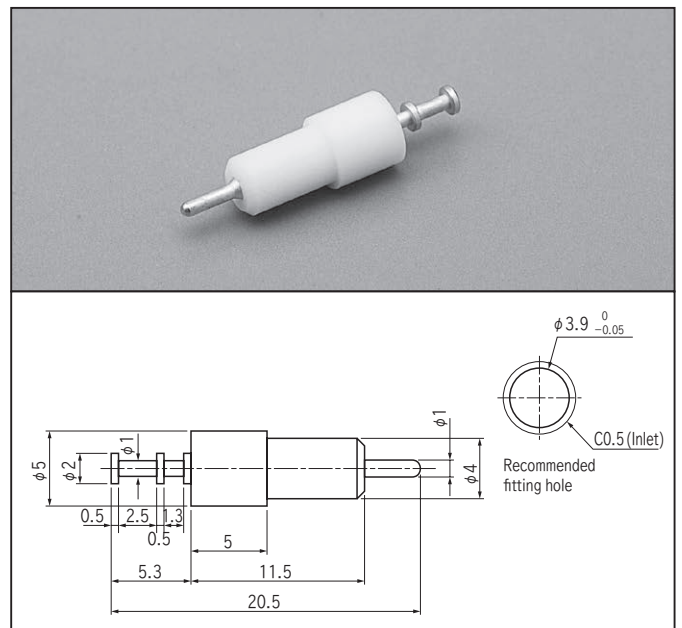
FT-5, FT-6 series (10pcs/pack)

- This fluorine terminal can be used when high withstand voltage is required.
- This can be fixed by press-fitting.
- Rated current: 5A
- Withstand voltage: 5000V AC, DC per minute
- Material Metal part: Brass
Resin part: Fluorine (UL94V-0)
- Finish: Tin plating over nickel base

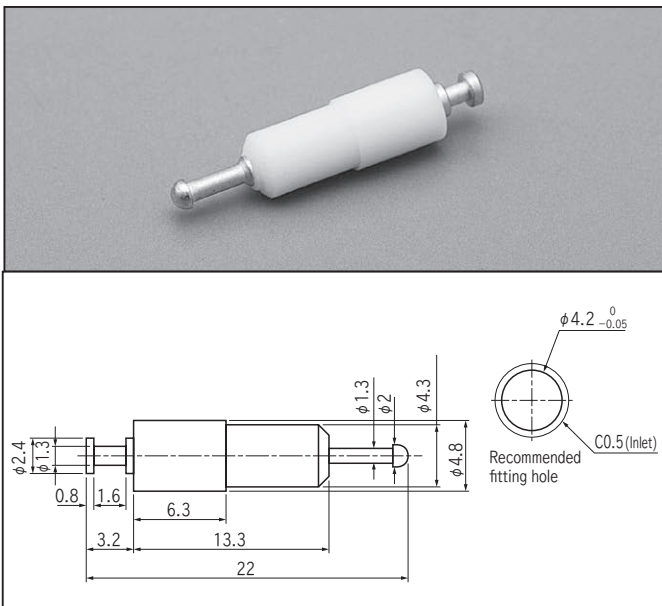
• Part No.: FT-5-1



• Part No.: FT-6-1



• Part No.: FT-6-2



• Part No.: FT-6-3

