

Terminal for aluminum board

Part No.: **AW series** (100pcs/pack)

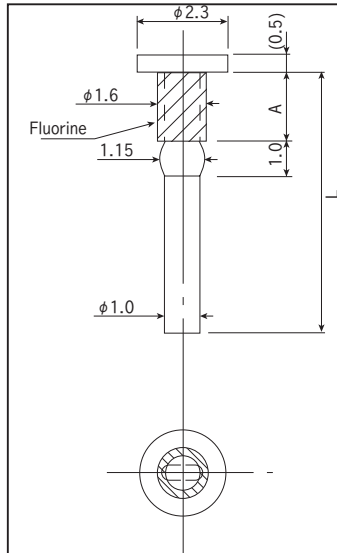
- This terminal can be fit in a hole of aluminum board.
- The terminal can be pulled to the opposite side of the single layer aluminum board.
- As the part going in the hole is insulated with fluorine, short circuit will not occur.
- Material Pin part: Brass
Shaded part: Fluorine (UL94V-0)
- Finish: Gold plating over nickel base
- Rated current: 7A
- Insulation resistance: 500M Ω or over
- Withstand voltage (reference value): 300V AC/DC per minute
(depending on the property of the aluminum board)
- Operating temperature range: - 40 to + 125°C



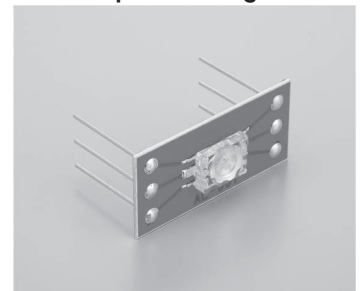
■ Part No.

Part No.	A	L
AW-1-5	2.0	5.0
AW-1-7		7.0
AW-1-10		10.0
AW-1-15		15.0
AW-1-20		20.0
AW-1-25		25.0
AW-1-30	2.6	30.0
AW-1.6-5.6		5.6
AW-1.6-8		8.0
AW-1.6-10		10.0
AW-1.6-15		15.0
AW-1.6-20		20.0
AW-1.6-25	3.0	25.0
AW-1.6-30		30.0
AW-2-6		6.0
AW-2-8		8.0
AW-2-10		10.0
AW-2-15		15.0
AW-2-20	20.0	
AW-2-25	25.0	
AW-2-30	30.0	

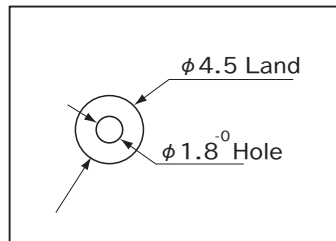
■ Dimension



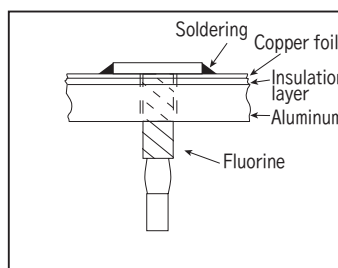
■ Example of usage



■ Recommended land information



■ How to use



Please solder the upper flange to the copper foil.