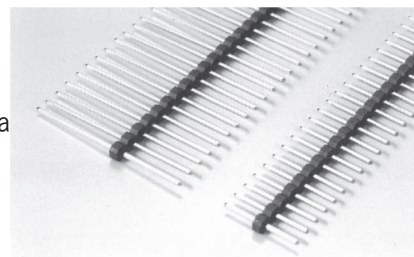


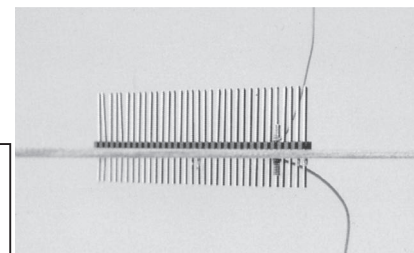
**Wrapping terminal of connected type**

**WL- □ - □ series (10pcs/pack)**

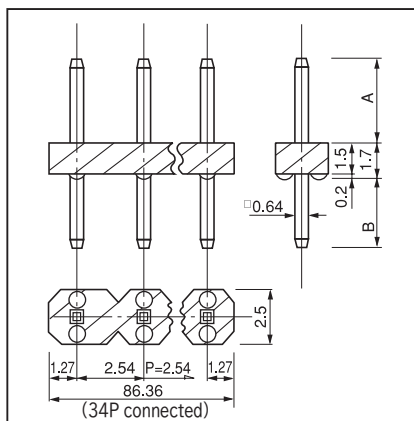
- This wrapping terminal is connected with a pitch of 2.54mm.
- The upper length is different from the lower length.
- Wrapping is available from the part side, soldering side, and both sides.
- As 34 pins are connected, please cut them to the desired number of poles by using a mold cutting nipper (Part No.: MOC-3)
- Material: Resin part: PBT black (UL94V-0)  
Pin part: Phosphor bronze
- Finish: Gold plating over nickel base
- Rated current: 3A
- Insulation resistance: 500M Ω or over
- Withstand voltage: 1000V AC, DC per minute
- Operating temperature range: - 40 to + 125°C
- Printed board fitting hole diameter: φ 1.0 to φ 1.1



■ Example of usage



Part No.	A	B
WL-4-7	4.3	7.0
WL-8-11	8.0	11.0
WL-12-16	12.0	16.0
WL-6-6	6.0	6.0



■ How to order:

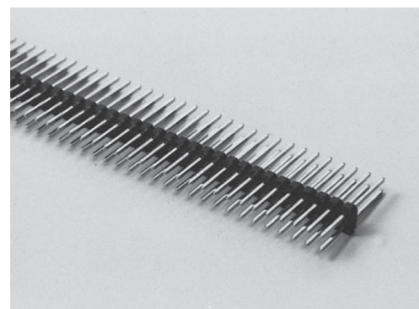
WL-4-7-10P

↑ Please fill in the desired number of poles.

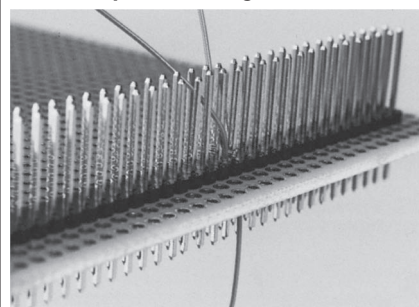
**Wrapping terminal of two-row connected type**

**WLW- □ - □ series (10pcs/pack)**

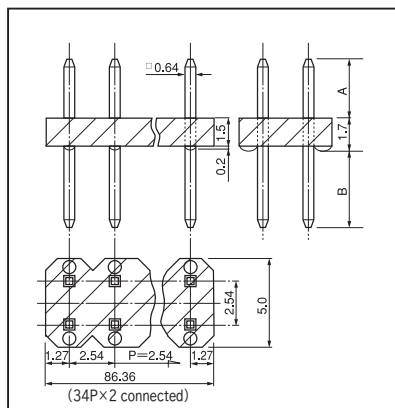
- This wrapping terminal is of two-row connected type with a pitch of 2.54mm.
- The upper length is different from the lower length.
- Wrapping is available from the part side, soldering side, and both sides.
- Material Resin part: PBT black (UL94V-0)  
Pin part: Phosphor bronze
- Finish: Gold plating over nickel base
- Rated current: 3A
- Insulation resistance: 500M Ω or over
- Withstand voltage: 1000V AC, DC per minute
- Operating temperature range: - 40 to + 125°C
- Printed board fitting hole diameter: φ 1.0 to φ 1.1



■ Example of usage



Part No.	A	B
WLW-4-7	4.3	7.0
WLW-8-11	8.0	11.0
WLW-12-16	12.0	16.0
WLW-6-6	6.0	6.0



■ How to order:

WLW-4-7-10PW

↑ Please fill in the number of poles on one side.  
(If nothing is filled in, we will deliver 34PW.)

\* For an order of WLW- □ - □ -1PW, please order WL- □ - □ -2P.