

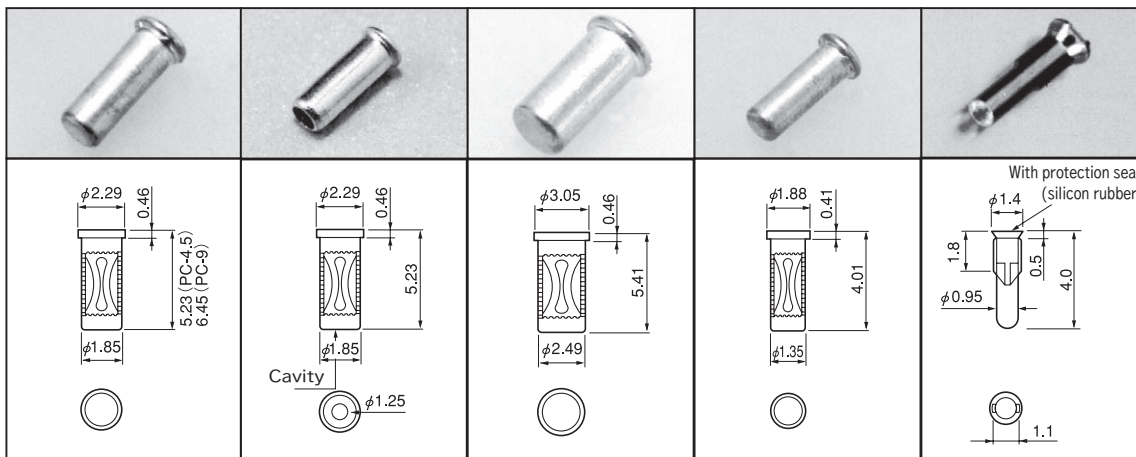
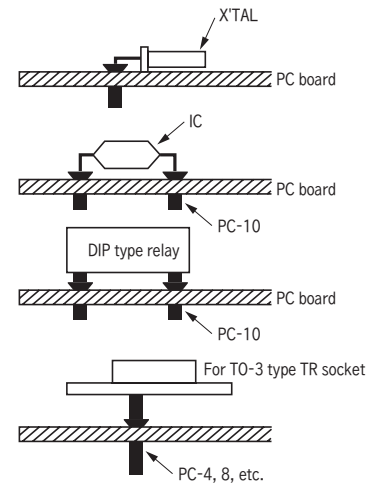
Super small socket pin

PC series (100pcs/pack)

- This is a small socket pin that can be used as the socket pin of DIP relay, X' TAL, IC, etc.
- Please use PK series or CD series (male pin) to fit a slave board.
- As PC-11 has a short leg going through the soldering face side, there is no problem for using a cutter.
- As PC-10 has a protection seal, there is no flux coming up during soldering.
(Please remove the seal after soldering and washing.)

■ Example of usage

Part No.	Plating specification		Adaptive male pin diameter	Male pin inserting depth	Pin bottom condition	Printed board hole diameter
	Contact	Body				
PC-4	Gold	Tin	φ 0.99 to φ 1.04	4.83	Closed	φ 1.9
PC-44	Gold	Tin	φ 0.99 to φ 1.04	Free	Opened	φ 1.9
PC-5	Gold	Tin	φ 0.76 to φ 0.81	4.83	Closed	φ 1.9
PC-55	Gold	Tin	φ 0.76 to φ 0.81	Free	Opened	φ 1.9
PC-6	Gold	Tin	φ 1.24 to φ 1.30	5.08	Closed	φ 2.6
PC-7	Gold	Tin	φ 0.60 to φ 0.66	3.58	Closed	φ 1.4
PC-8	Gold	Tin	φ 1.50 to φ 1.58	5.08	Closed	φ 2.6
PC-9	Gold	Tin	φ 0.85 to φ 0.95	6.0	Closed	φ 1.9
PC-10	Gold	Tin	φ 0.40 to φ 0.50	3.6	Closed	φ 1.0
PC-11	Gold	Tin	φ 0.25 to φ 0.45	3.1	Closed	φ 1.0
PC-20	Gold	Tin	φ 0.40 to φ 0.60	Free	Opened	φ 1.4



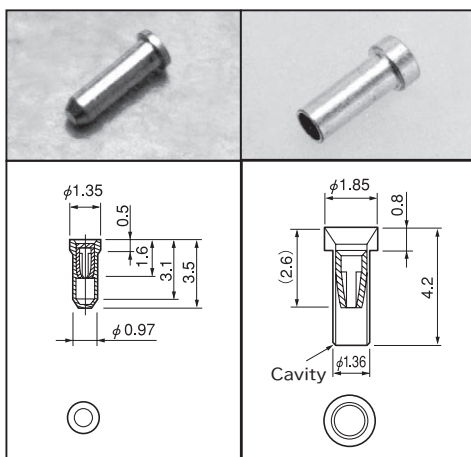
PC-4, PC-5, PC-9

PC-44, PC-55
(Can be inserted from the bottom side.)

PC-6, PC-8

PC-7

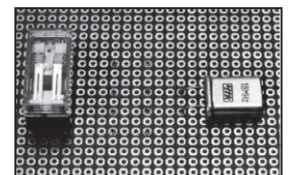
PC-10



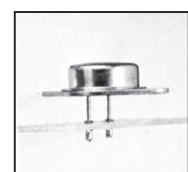
PC-11

PC-20

Material	Body: Brass, Copper Inside contact: Beryllium copper	
Finish	Body: Tin plating over nickel base Inside contact: Gold plating over nickel base	
Rated current	PC-10, PC-11, PC-20	1A
	PC-4, PC-5, PC-7, PC-9, PC-44, PC-55	5A
	PC-6	10A
	PC-8	15A
Contact resistance	10m Ω or less	
Insertion / removal durability	100 cycles	
Insertion forces	30g or over	
Removal forces	30g or over	



Example of PC-10 usage



Example of PC-4 usage