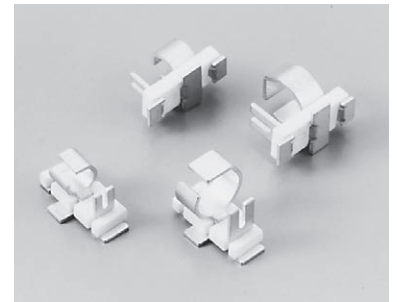


Pin for horizontal installation of coaxial cable for surface mounting

CG series

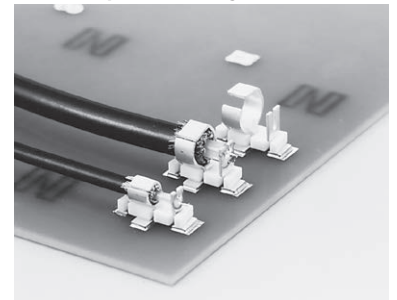
- This is used for installing coaxial cable to a surface mounting board in parallel.
- Please solder the core wire and fix the shield side by tightening with pliers.
- Taping type can be automatically mounted.
- Material Metal part: Phosphor bronze
Resin part: Fluorine (UL94V-0)
- Finish: Tin plating over nickel base
- Operating temperature range: - 40 to + 150°C



■ Dimension

Part No.	A	B	C	∅	E	F	G	H	I
CG-1-1	3.0	0.8	3.0	4.0	6.6	3.7	2.3	1.0	7.4
CG-3-1	4.0	1.0	4.0	5.5	8.1	6.7	4.3	2.0	10.4

■ Example of usage

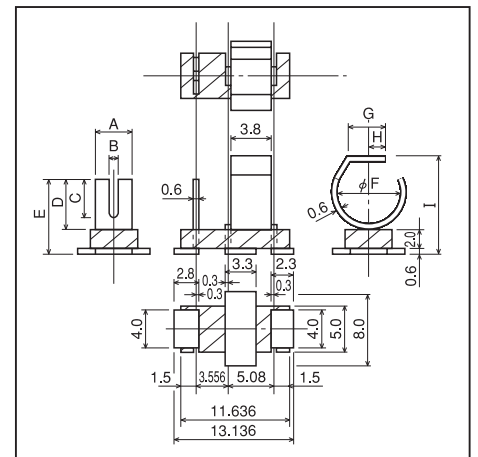
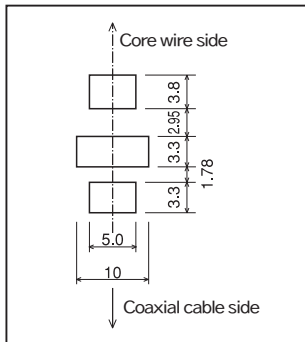


■ Part No.

Part No.	Package
CG-1-1-B	Bulk (100pcs/pack)
CG-1-1-T	Reel (350pcs/reel)
CG-3-1-B	Bulk (100pcs/pack)
CG-3-1-T	Reel (150pcs/reel)

■ Recommended land information

- Recommended metal mask thickness: 150 μm to 200 μm



■ Instructions for mounting

Please note that the fluorine part will be slightly bent due to its structure during reflow. There is no problem for usage.

■ Dimension of the reel

