

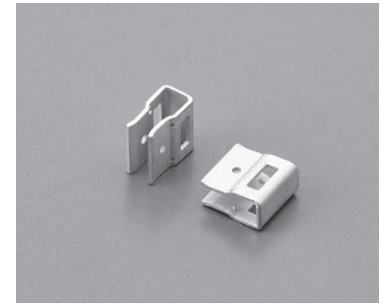
Terminal for fitting bundled wire band (side face type)

DB-6 series (100pcs/pack)

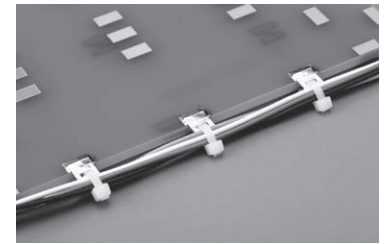
- This is used for fitting electric wires on the side face of a PC board.
- DB-6 series is fit in a PC board and soldered to it. Then, electric wires are fixed with a bundled wire band.
- By taking out the wires, separately installed on a PC board, from the side face, they can be installed in a more organized manner.
- Three types, with the PC board thickness of 1.6 mm, 2.0 mm and 3.2 mm, are available.
- Material: Phosphor bronze
- Finish: Tin plating over nickel base

Part No.

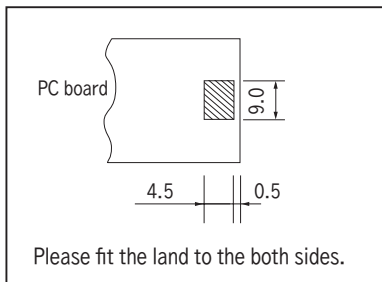
Part No.	A	B	C	Adaptive printed board thickness
DB-6-1.6	1.5	3.5	7.5	1.6
DB-6-2	1.9	3.5	7.5	2.0
DB-6-3.2	3.1	3.3	7.6	3.2



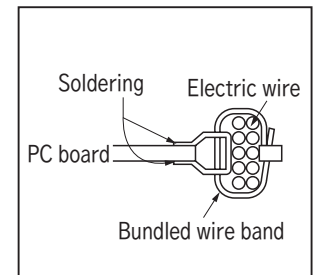
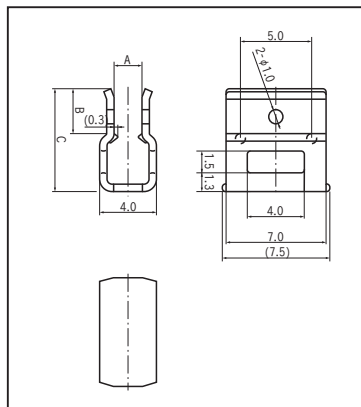
Example of usage



Recommended land information



Dimension



Terminal for fitting bundled wire band (upper part type)

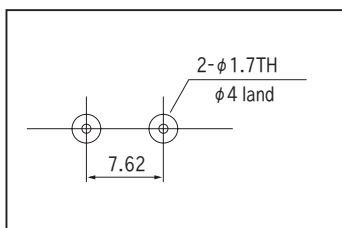
Part No.: DA-8 (100pcs/pack)

- This is used for fixing electric wires on a board by using a bundled wire band.
- DA-8 is fit and soldered to a PC board. Then, electric wires are positioned on it and fixed by a bundled wire band.
- Material: Phosphor bronze
- Finish: Tin plating over nickel base

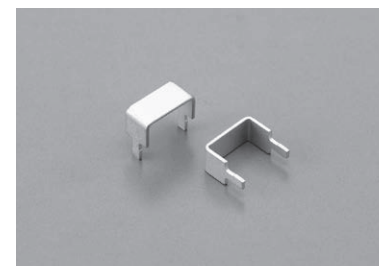
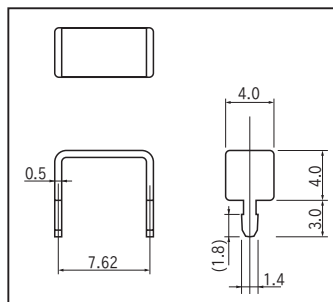
Part No.

DA-8

Recommended land information



Dimension



Example of usage

Example of usage

