

Metal fitting for fixing coaxial cable

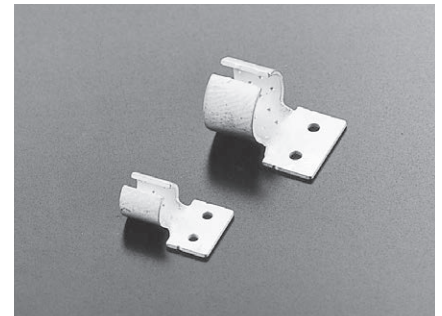
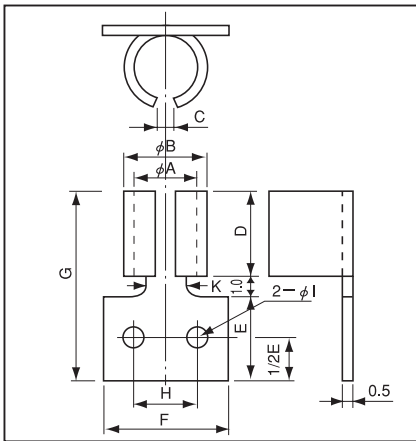
CJ series

- This product is used for fixing a coaxial cable on a surface mounting board. (Please tighten with pliers.)
- Material: Phosphor bronze
- Finish: Tin plating over nickel base

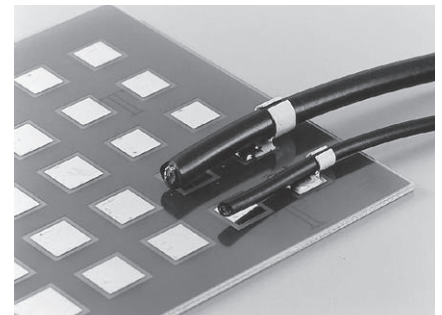
■ Part No.

Part No.	A	B	C	D	E	F	G	H	I	K	Adaptive coaxial cable
CJ-3-1	3.1	4.1	1.2	4	4	6	9	3	1.0	3.5	1.5C-2V
CJ-6-1	5.9	6.9	1.5	5	5	8	11	4	1.2	6.0	3C-2V

■ Dimension



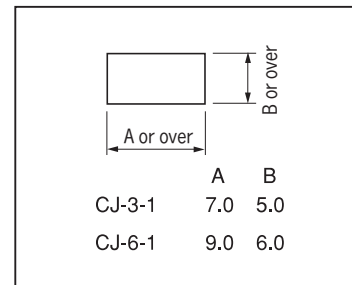
■ Example of usage



■ Packing

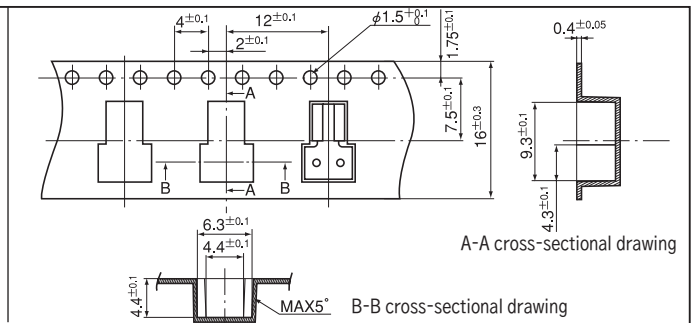
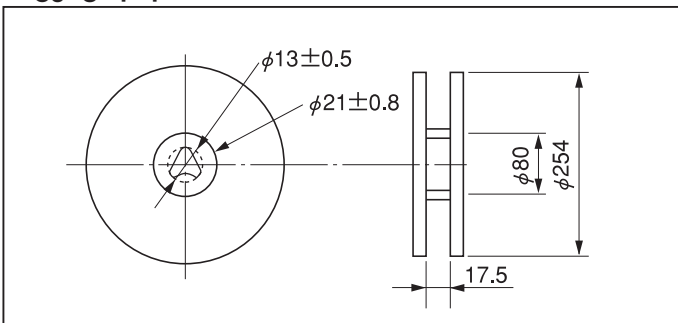
Part No.	Package
CJ-3-1	Bulk (100pcs/pack)
CJ-3-1-T	Reel (500pcs/reel)
CJ-6-1	Bulk (100pcs/pack)
CJ-6-1-T	Reel (400pcs/reel)

■ Recommended land information



■ Dimension of the reel

■ CJ-3-1-T



■ CJ-6-1-T

