

Jig for removing adsorption film

TH-JIG series

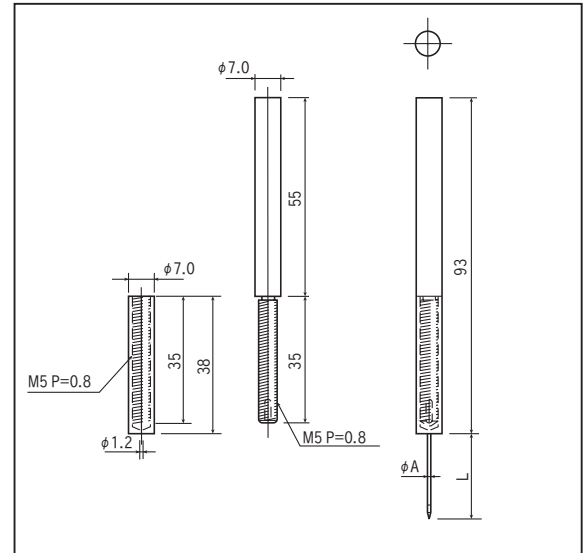
Tool

- This jig is used for removing the adsorption films after mounting.
- Film can be removed by piercing the film with the needle edge and pulling it.
- Films can be removed consecutively. (Approximately 30 sheets)
- The films pieced to the needle can be collectively removed by turning the resin part.
- The time required for removing films can be reduced.
- Disposing is easy because the films have been collectively removed.
- Object product: TH-series, SSB series
- Material
 Needle part: Stainless steel
 Resin part: Acetal copolymer

■ Example of usage



■ Dimension

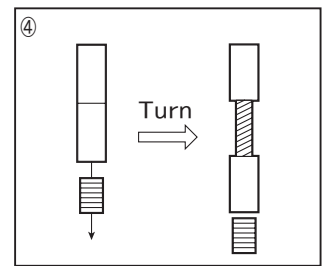
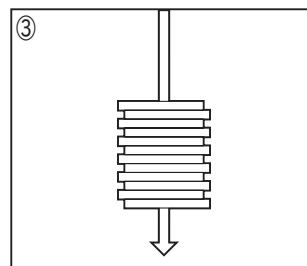
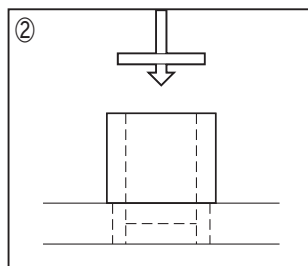
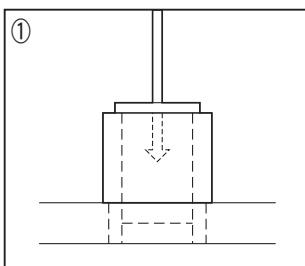


■ Part No.

Part No.	φ A	L	Object tap size
TH-JIG	0.8	24.5	M1.2 or over
TH-JIG-1.0	0.5	18.5	M1.0

■ How to use

- (1) Pierce the needle at the center of a film. (Please put the needle from right above.)
- (2) Pull to raise the film hooked at the needle edge and remove.
- (3) Approximately 30 sheets can be removed consecutively.
- (4) Turn the resin part and push out the films on the needle to collectively remove the films.
 (Turn the resin part in a counter direction after removing the films to return the resin part to the original position prior to use.)



■ Instructions for use

- As the edge is sharp, please handle carefully. It may cause injury or damage to a product.
- Do not forcibly apply forces because the needle can be easily bent.
- If a hole on the film becomes bigger and the needle cannot hook the film to remove, please use tweezers or other adaptive tool to remove it.
- When using with M1.2 or over, please use “TH-JIG” . (“TH-JIG-1.0” is the exclusive jig for M1.0.)
- Please note that the specification is subject to changes in order to improve performance.