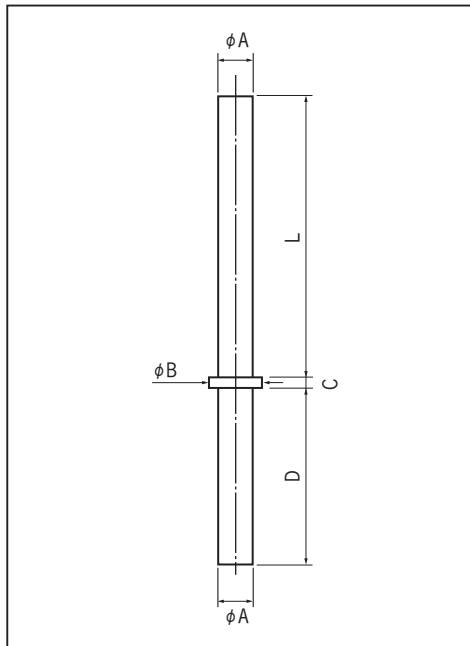
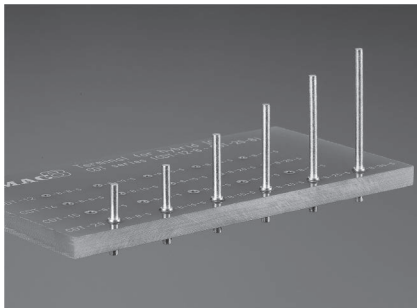


Terminal for hybrid IC

CDT series (100pcs/pack)

- Please use this for checking, hybrid IC, and male pin, etc.
- The depth of insertion has 2 types. (5mm, 8mm).



Part No.	A	B	C	D	L	Finish	Material	Rated current	Adaptive PCB thickness	Diameter of through-hole		
CDT-03-5-5-G	0.3	0.6	0.15	5	5	Gold plating over nickel base	Phosphor bronze	2A	2.2 to 3.5	φ 0.4 ⁰		
CDT-03-5-5-S	0.3	0.6	0.15	5	5	Tin plating over nickel base						
CDT-04-5-5-G	0.4	0.7	0.2	5	5	Gold plating over nickel base						
CDT-04-5-5-S	0.4	0.7	0.2	5	5	Tin plating over nickel base						
CDT-04-5-8-G	0.4	0.7	0.2	5	8	Gold plating over nickel base			Brass	3A	2.2 to 3.5	φ 0.5 ⁰
CDT-04-5-8-S	0.4	0.7	0.2	5	8	Tin plating over nickel base						
CDT-04-8-8-G	0.4	0.7	0.2	8	8	Gold plating over nickel base						
CDT-04-8-8-S	0.4	0.7	0.2	8	8	Tin plating over nickel base						
CDT-05-5-5-G	0.5	0.8	0.2	5	5	Gold plating over nickel base	Brass	3A	2.2 to 3.5		φ 0.6 ⁰	
CDT-05-5-5-S	0.5	0.8	0.2	5	5	Tin plating over nickel base						
CDT-05-5-8-G	0.5	0.8	0.2	5	8	Gold plating over nickel base						
CDT-05-5-8-S	0.5	0.8	0.2	5	8	Tin plating over nickel base						
CDT-05-5-10-G	0.5	0.8	0.2	5	10	Gold plating over nickel base			4A	2.2 to 3.5	φ 0.8 ⁰	
CDT-05-5-10-S	0.5	0.8	0.2	5	10	Tin plating over nickel base						
CDT-05-8-8-G	0.5	0.8	0.2	8	8	Gold plating over nickel base						
CDT-05-8-8-S	0.5	0.8	0.2	8	8	Tin plating over nickel base						
CDT-05-8-10-G	0.5	0.8	0.2	8	10	Gold plating over nickel base	Brass	4A	2.2 to 3.5	φ 0.8 ⁰		
CDT-05-8-10-S	0.5	0.8	0.2	8	10	Tin plating over nickel base						
CDT-07-5-5-G	0.7	1.2	0.3	5	5	Gold plating over nickel base						
CDT-07-5-5-S	0.7	1.2	0.3	5	5	Tin plating over nickel base						
CDT-07-5-8-G	0.7	1.2	0.3	5	8	Gold plating over nickel base			4A	3.5 to 6.5	φ 0.8 ⁰	
CDT-07-5-8-S	0.7	1.2	0.3	5	8	Tin plating over nickel base						
CDT-07-5-10-G	0.7	1.2	0.3	5	10	Gold plating over nickel base						
CDT-07-5-10-S	0.7	1.2	0.3	5	10	Tin plating over nickel base						
CDT-07-5-15-G	0.7	1.2	0.3	5	15	Gold plating over nickel base	Brass	4A	2.2 to 3.5	φ 0.8 ⁰		
CDT-07-5-15-S	0.7	1.2	0.3	5	15	Tin plating over nickel base						
CDT-07-8-8-G	0.7	1.2	0.3	8	8	Gold plating over nickel base						
CDT-07-8-8-S	0.7	1.2	0.3	8	8	Tin plating over nickel base						
CDT-07-8-10-G	0.7	1.2	0.3	8	10	Gold plating over nickel base			4A	3.5 to 6.5	φ 0.8 ⁰	
CDT-07-8-10-S	0.7	1.2	0.3	8	10	Tin plating over nickel base						
CDT-07-8-15-G	0.7	1.2	0.3	8	15	Gold plating over nickel base						
CDT-07-8-15-S	0.7	1.2	0.3	8	15	Tin plating over nickel base						

Terminal for hybrid IC

CDT series (100pcs/pack)

Part No.	A	B	C	D	L	Finish	Material	Rated current	Adaptive PCB thickness	Diameter of through-hole
CDT-10-5-5-G	1.0	1.5	0.3	5	5	Gold plating over nickel base	Brass	7A	2.2 to 3.5	φ 1.1 ⁻⁰
CDT-10-5-5-S	1.0	1.5	0.3	5	5	Tin plating over nickel base				
CDT-10-5-8-G	1.0	1.5	0.3	5	8	Gold plating over nickel base				
CDT-10-5-8-S	1.0	1.5	0.3	5	8	Tin plating over nickel base				
CDT-10-5-10-G	1.0	1.5	0.3	5	10	Gold plating over nickel base				
CDT-10-5-10-S	1.0	1.5	0.3	5	10	Tin plating over nickel base				
CDT-10-5-15-G	1.0	1.5	0.3	5	15	Gold plating over nickel base				
CDT-10-5-15-S	1.0	1.5	0.3	5	15	Tin plating over nickel base				
CDT-10-5-20-G	1.0	1.5	0.3	5	20	Gold plating over nickel base				
CDT-10-5-20-S	1.0	1.5	0.3	5	20	Tin plating over nickel base				
CDT-10-8-8-G	1.0	1.5	0.3	8	8	Gold plating over nickel base				
CDT-10-8-8-S	1.0	1.5	0.3	8	8	Tin plating over nickel base				
CDT-10-8-10-G	1.0	1.5	0.3	8	10	Gold plating over nickel base				
CDT-10-8-10-S	1.0	1.5	0.3	8	10	Tin plating over nickel base				
CDT-10-8-15-G	1.0	1.5	0.3	8	15	Gold plating over nickel base				
CDT-10-8-15-S	1.0	1.5	0.3	8	15	Tin plating over nickel base				
CDT-10-8-20-G	1.0	1.5	0.3	8	20	Gold plating over nickel base				
CDT-10-8-20-S	1.0	1.5	0.3	8	20	Tin plating over nickel base				
CDT-12-5-5-S	1.2	1.8	0.5	5	5	Tin plating over nickel base				
CDT-12-5-8-S	1.2	1.8	0.5	5	8	Tin plating over nickel base				
CDT-12-5-10-S	1.2	1.8	0.5	5	10	Tin plating over nickel base				
CDT-12-5-15-S	1.2	1.8	0.5	5	15	Tin plating over nickel base				
CDT-12-5-20-S	1.2	1.8	0.5	5	20	Tin plating over nickel base				
CDT-12-5-25-S	1.2	1.8	0.5	5	25	Tin plating over nickel base				
CDT-12-8-8-S	1.2	1.8	0.5	8	8	Tin plating over nickel base				
CDT-12-8-10-S	1.2	1.8	0.5	8	10	Tin plating over nickel base				
CDT-12-8-15-S	1.2	1.8	0.5	8	15	Tin plating over nickel base				
CDT-12-8-20-S	1.2	1.8	0.5	8	20	Tin plating over nickel base				
CDT-12-8-25-S	1.2	1.8	0.5	8	25	Tin plating over nickel base				
CDT-14-5-5-S	1.4	2.0	0.5	5	5	Tin plating over nickel base				
CDT-14-5-8-S	1.4	2.0	0.5	5	8	Tin plating over nickel base				
CDT-14-5-10-S	1.4	2.0	0.5	5	10	Tin plating over nickel base				
CDT-14-5-15-S	1.4	2.0	0.5	5	15	Tin plating over nickel base				
CDT-14-5-20-S	1.4	2.0	0.5	5	20	Tin plating over nickel base				
CDT-14-5-25-S	1.4	2.0	0.5	5	25	Tin plating over nickel base				
CDT-14-8-8-S	1.4	2.0	0.5	8	8	Tin plating over nickel base				
CDT-14-8-10-S	1.4	2.0	0.5	8	10	Tin plating over nickel base				
CDT-14-8-15-S	1.4	2.0	0.5	8	15	Tin plating over nickel base				
CDT-14-8-20-S	1.4	2.0	0.5	8	20	Tin plating over nickel base				
CDT-14-8-25-S	1.4	2.0	0.5	8	25	Tin plating over nickel base				
CDT-15-5-5-S	1.5	2.5	0.5	5	5	Tin plating over nickel base				
CDT-15-5-8-S	1.5	2.5	0.5	5	8	Tin plating over nickel base				
CDT-15-5-10-S	1.5	2.5	0.5	5	10	Tin plating over nickel base				
CDT-15-5-15-S	1.5	2.5	0.5	5	15	Tin plating over nickel base				
CDT-15-5-20-S	1.5	2.5	0.5	5	20	Tin plating over nickel base				
CDT-15-5-25-S	1.5	2.5	0.5	5	25	Tin plating over nickel base				
CDT-15-8-8-S	1.5	2.5	0.5	8	8	Tin plating over nickel base				
CDT-15-8-10-S	1.5	2.5	0.5	8	10	Tin plating over nickel base				
CDT-15-8-15-S	1.5	2.5	0.5	8	15	Tin plating over nickel base				
CDT-15-8-20-S	1.5	2.5	0.5	8	20	Tin plating over nickel base				
CDT-15-8-25-S	1.5	2.5	0.5	8	25	Tin plating over nickel base				
CDT-20-5-5-S	2.0	3.0	0.5	5	5	Tin plating over nickel base				
CDT-20-5-8-S	2.0	3.0	0.5	5	8	Tin plating over nickel base				
CDT-20-5-10-S	2.0	3.0	0.5	5	10	Tin plating over nickel base				
CDT-20-5-15-S	2.0	3.0	0.5	5	15	Tin plating over nickel base				
CDT-20-5-20-S	2.0	3.0	0.5	5	20	Tin plating over nickel base				
CDT-20-5-25-S	2.0	3.0	0.5	5	25	Tin plating over nickel base				
CDT-20-5-30-S	2.0	3.0	0.5	5	30	Tin plating over nickel base				
CDT-20-8-8-S	2.0	3.0	0.5	8	8	Tin plating over nickel base				
CDT-20-8-10-S	2.0	3.0	0.5	8	10	Tin plating over nickel base				
CDT-20-8-15-S	2.0	3.0	0.5	8	15	Tin plating over nickel base				
CDT-20-8-20-S	2.0	3.0	0.5	8	20	Tin plating over nickel base				
CDT-20-8-25-S	2.0	3.0	0.5	8	25	Tin plating over nickel base				
CDT-20-8-30-S	2.0	3.0	0.5	8	30	Tin plating over nickel base				