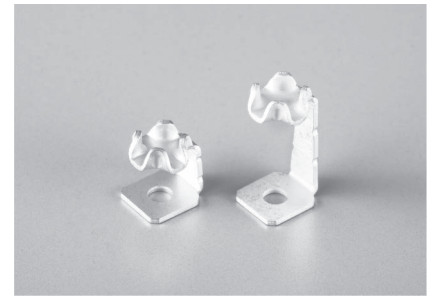


Adjustment part terminal for surface mounting

SJ series

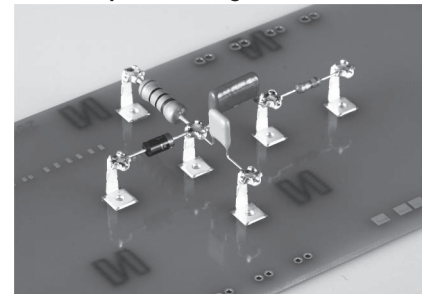
- This is used for fitting a lead type part to a surface mounting board. Please solder by placing the part on it.
- Please adsorb the inner flat part. (Please use the adsorption nozzle of $\phi 2$ or less and consult the details with the mounter manufacturer.)
- Material: Copper
- Finish: Tin plating over nickel base
- Rated current: 20A



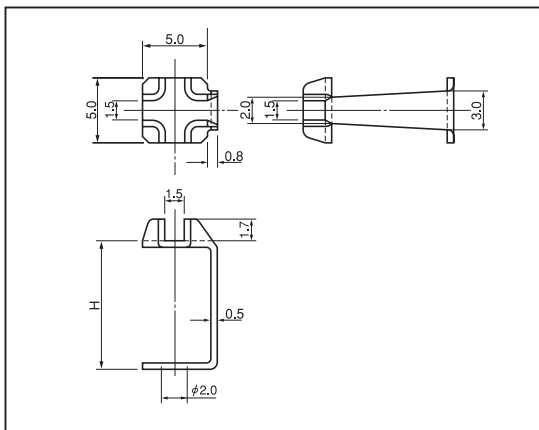
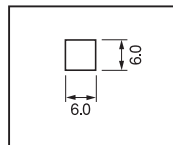
■ Part No.

Part No.	H	Package
SJ-5	5	Bulk (1000pcs/pack)
SJ-5-T	5	Reel (400pcs/reel)
SJ-10	10	Bulk (1000pcs/pack)
SJ-10-T	10	Reel (250pcs/reel)

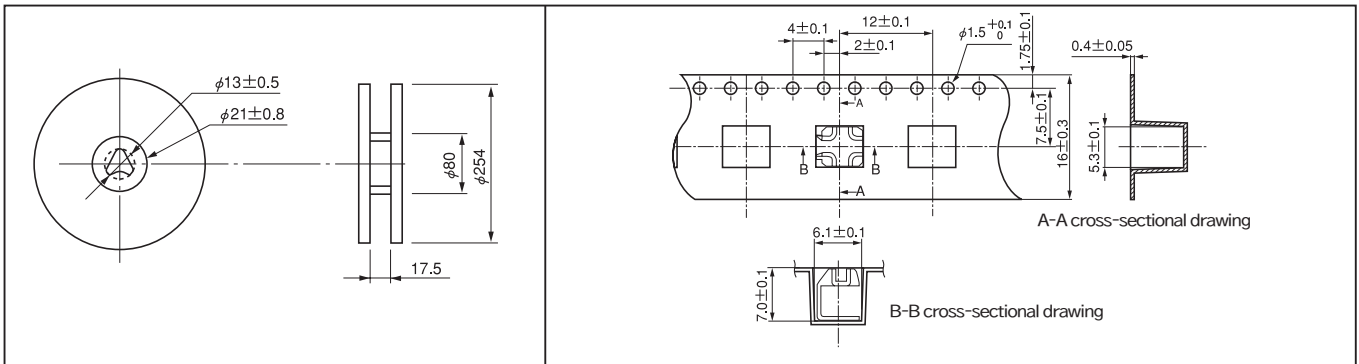
■ Example of usage



■ Recommended land information



■ SJ-5-T



■ SJ-10-T

