

**Common board**

**COB series (1pc/pack)**

- This is used for collecting signal lines to one place.
- This is very convenient in experiments, etc.
- Please use the type according to the adaptive male pin diameter.
- Material: Brass
- Finish: Gold plating over nickel base
- Operating temperature range: - 40 to + 125°C
- Contact resistance: 10m Ω or less
- Insertion / removal durability : 1000 cycles



**Part No.**

Part No.	Adaptive male pin diameter	Rated current	Adaptive plug
COB-0.5	φ 0.4 to φ 0.6	1A	OP-1 series
COB-0.7	φ 0.6 to φ 0.8	5A	-
COB-0.9	φ 0.8 to φ 1.1	5A	OP-5, 6 series
COB-1.3	φ 1.1 to φ 1.4	10A	-
COB-1.5	φ 1.4 to φ 1.6	15A	-
COB-2.0	φ 1.6 to φ 2.0	15A	OP-7 series

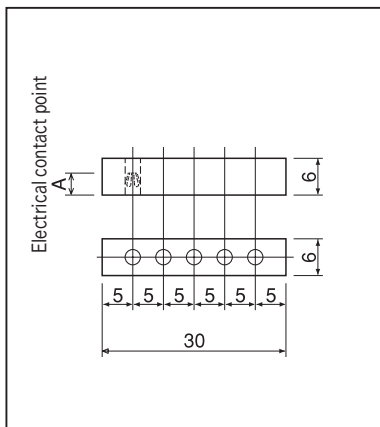
COBN-4.0	For banana plug	15A	BN series
----------	-----------------	-----	-----------

**Example of usage**

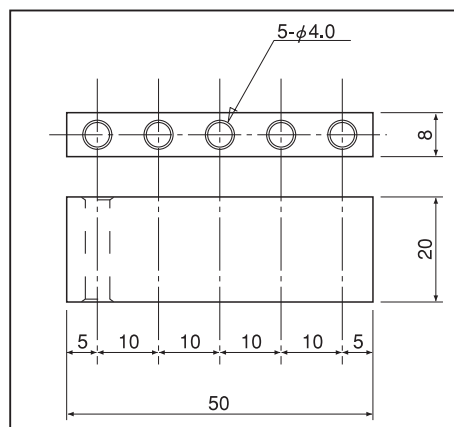


COB series

**Dimension**



COB series



COBN-4.0



COBN-4.0

Part No.	A
COB-0.5	2.4
COB-0.7	2.4
COB-0.9	3.3
COB-1.3	4.1
COB-1.5	3.4
COB-2.0	4.0