

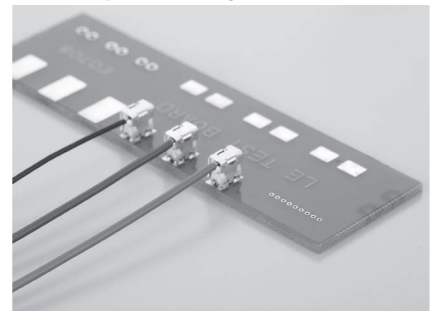
Lever-type electric wire installation terminal (SMT Type)

WXF-3-2

- This terminal connects and fixes electric wire without soldering to a board.
- With the tape-and-reel, it can be automatically mounted by using a mounter.
- Attaching and detaching of electric wire can be easily carried out by using a commercially available precision screwdriver. (It is also sold by us.)
- Material
 - Lever part: Stainless steel
 - Inner spring: Stainless steel
 - Upper body: Copper: Tin plating over nickel base
 - Lower body: Phosphor bronze: Tin plating over nickel base
- Adaptive electric wire: AWG28 to AWG26
- Covering peeling length: 4.5 mm
- Recommended metal mask thickness: 150 μm to 200 μm
- Current capacity: 5A
- Operating temperature range: - 40 to + 125°C



■ Example of usage



■ How to order

WXF-3-2 (250pcs/reel)

WXF-3-2-B (For bulk products, 10 pieces are included in 1 pack.)

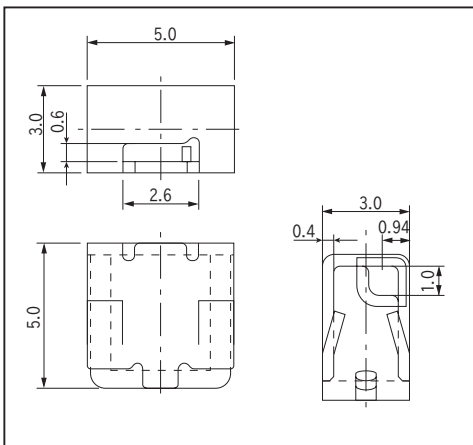
Detachable screwdriver

Part No.: **WXF-DR** (1pc/pack) **Tool**

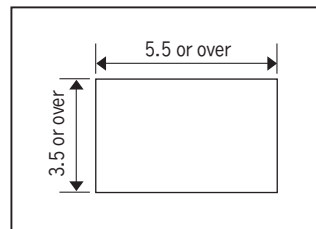


WXF-DR

■ Dimension

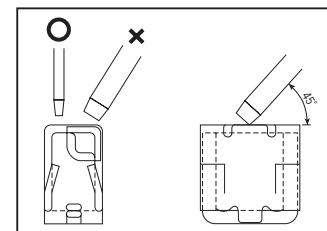


■ Recommended land information

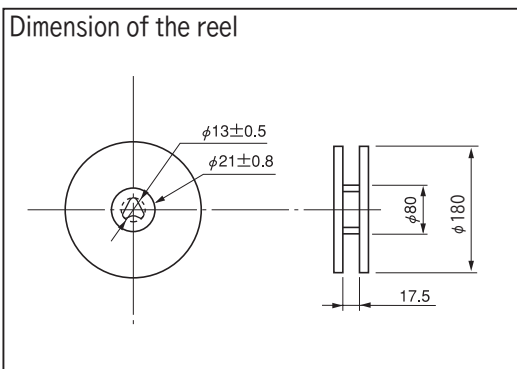


■ How to operate the lever

Insert the screwdriver in the long square hole of the product after aligning the direction of the screwdriver to the hole. Then, push the lever at approximately 45 degrees.



■ Dimension of the reel



Dimension of the tape

