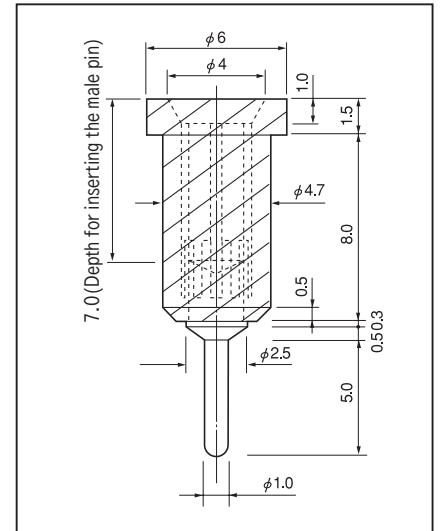
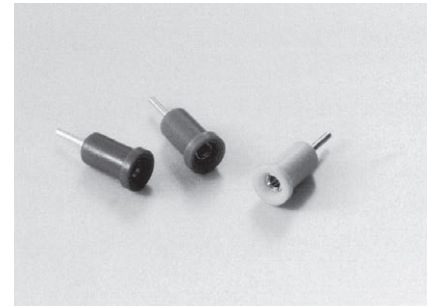


**Socket type (fluorine type) (for  $\phi$  2.0) (press-fitting type)**

PartNo.: **PF-8-1-A** (10pcs/pack)

- This is a socket type and OP-7-1, OP-7-2 and OP-7-2-100 (with electric wire) is suitable as the male pin.
- A socket is provided also on the opposite side (the side of  $\phi$  1.0) and OR-5-3 and OR-5-3-50 (with electric wire) are adaptive.
- Material Pin part: Phosphor bronze  
Resin part: Fluorine (UL94V-0)
- Finish Pin part: Gold plating over nickel base
- Resin color: BLACK, RED, YELLOW, GREEN, BLUE, WHITE
- Adaptive male pin diameter:  $\phi$  2.0
- Insertion forces: 800g or less
- Removal forces: 100g or over
- Insertion / removal durability : 1000 cycles
- Rated current: 10A
- Contact resistance: 20m  $\Omega$  or less
- Insulation resistance: 1000M  $\Omega$  or over
- Volume resistivity ( $\Omega$  - cm):  $10^{18}$  or over
- Withstand voltage: 3000V AC, DC per minute
- Operating temperature range: - 50 to + 180°C
- Thickness of panel that can be fit: 2.0 mm to 7.0 mm
- Panel fitting hole diameter:  $\phi$  4.67 to  $\phi$  4.69 (reference value)

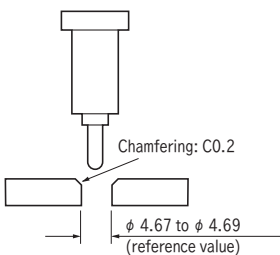


■ **How to order**

PF-8-1-A RED ← Please specify the resin color.  
(BLACK, RED, YELLOW, GREEN, BLUE, WHITE)

■ **Fitting method**

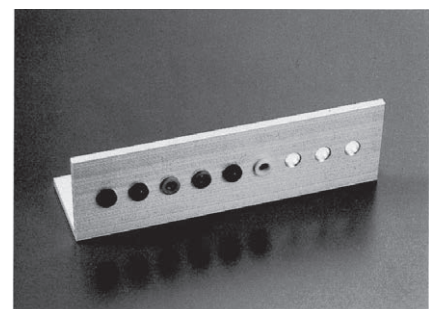
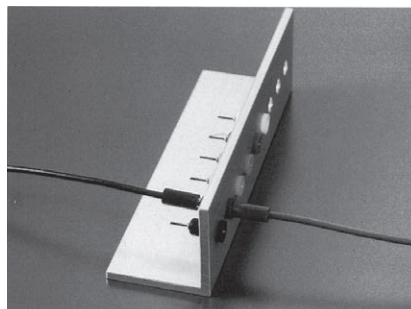
- Press-fit vertically.
- Chamfer the inlet C0.2



● **Fitting hole dimension**

As the fitting hole dimension varies depending on the panel material, please perform a hole drilling test.

■ **Example of usage**



When OP-7-2-100 (with electric wire) is used on the male side and OR-5-3-50 (with electric wire) is used on the opposite side

★ To increase the strength during press-fitting, the fluorine part has been changed from the conventional mold type to the cutting type. (Dimensions, etc. are the same.) (Part number: PF-8-1-A)