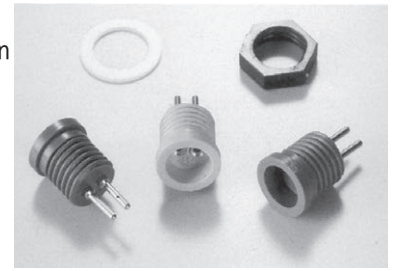


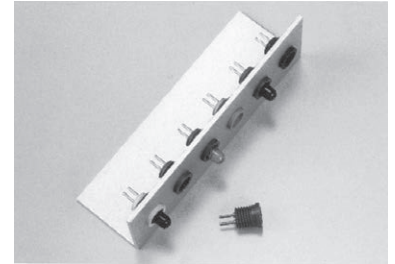
LED socket for panel

Part No.: **PP-5-3** (10pcs/pack)

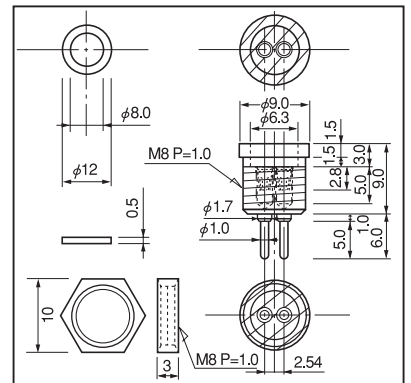
- By fitting this socket to a panel, LED for ϕ 5 can be fit to a panel. Replacement is easy.
- Six colors (BLACK, RED, YELLOW, GREEN, BLUE, WHITE) are available for the main body.
- Material
Main body Resin part: PPO (UL94V-1)
(Color: BLACK, RED, YELLOW, GREEN, BLUE, WHITE)
Metal part Body: Brass: Gold plating over nickel base
Contact: Beryllium copper: Gold plating over nickel base
- Nut: PPO resin black (UL94V-1)
- Washer: Nylon translucent (UL94HB)
- Rated current: 4A
- Contact resistance: 10m Ω or less
- Insulation resistance: 500M Ω or over
- Withstand voltage: 1000V AC, DC per minute
- Insertion / removal durability : 100 cycles
- Insertion / removal forces: 250g or over
- Operating temperature range: - 40 to + 125°C
- Adaptive male pin diameter: ϕ 0.6 to ϕ 0.8、 \square 0.5
- Adaptive male pin pitch: 2.5mm, 2.54mm
- Thickness of panel that can be fit: 1.0mm to 3.0mm
- Panel fitting hole diameter: ϕ 8.0



■ Example of usage



■ Dimension



- * Instructions for use
- Please use with the screw tightening torque of 2kgf-cm or less.
 - Please cut LED leg from 4.0mm to 5.0mm.

■ How to order

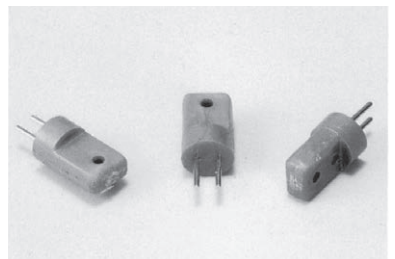
PP-5-3 RED

Please specify the color.
(BLACK, RED, YELLOW, GREEN, BLUE, WHITE)
(The main body contains a nut and washer.)

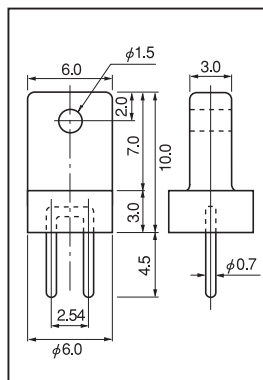
Short plug for panel

Part No.: **PPS-2** (10pcs/pack)

- By inserting to PP-5-3 described above, it can provide shorting.
- Six colors (BLACK, RED, YELLOW, GREEN, BLUE, WHITE) are available.
- By passing a string in the hole, it can be hanged.
- Material:
Resin part: PPO (UL94V-1)
(Color: BLACK, RED, YELLOW, GREEN, BLUE, WHITE)
Metal part: Phosphor bronze: Gold plating over nickel base
- Rated current: 4A
- Insulation resistance: 500M Ω or over
- Withstand voltage: 1000V AC, DC per minute
- Operating temperature range: - 40 to + 125°C



■ Dimension



■ How to order

PPS-2 RED

Please specify the color.
(BLACK, RED, YELLOW, GREEN, BLUE, WHITE)

■ Example of usage

