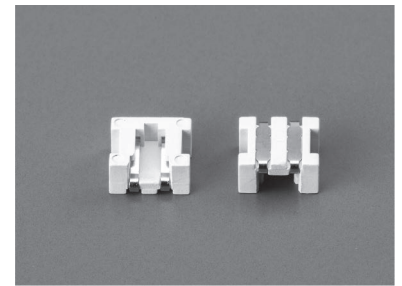


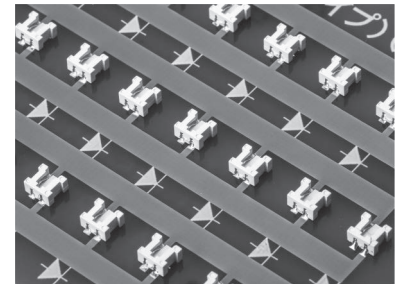
LED test socket for surface mounting (2 × 1.25 type)

LS-2-1

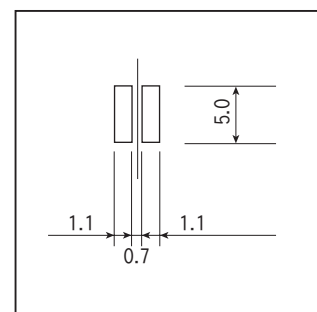
- This is used for illuminance test of a chip LED, etc.
- The chip LED can be fixed by holding it with sharp-edged tweezers and inserting it to the socket.
- Although this socket is made for an LED of 2 × 1.25, the size of LED differs from manufacturer depending on the type. Please use the product after confirming that it is adaptive.
- Material
 - Metal part: Beryllium copper
 - Resin part: LCP white (UL94V-0)
- Finish: Gold plating over nickel base
- Rated current: 1A
- Insulation resistance: 500M Ω or over
- Withstand voltage: 500V AC, DC per minute
- Operating temperature range: - 40 to + 125°C



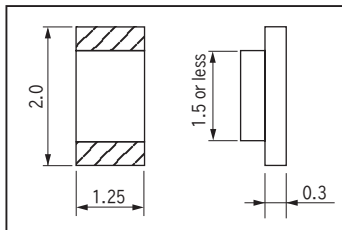
Example of usage



Recommended land information



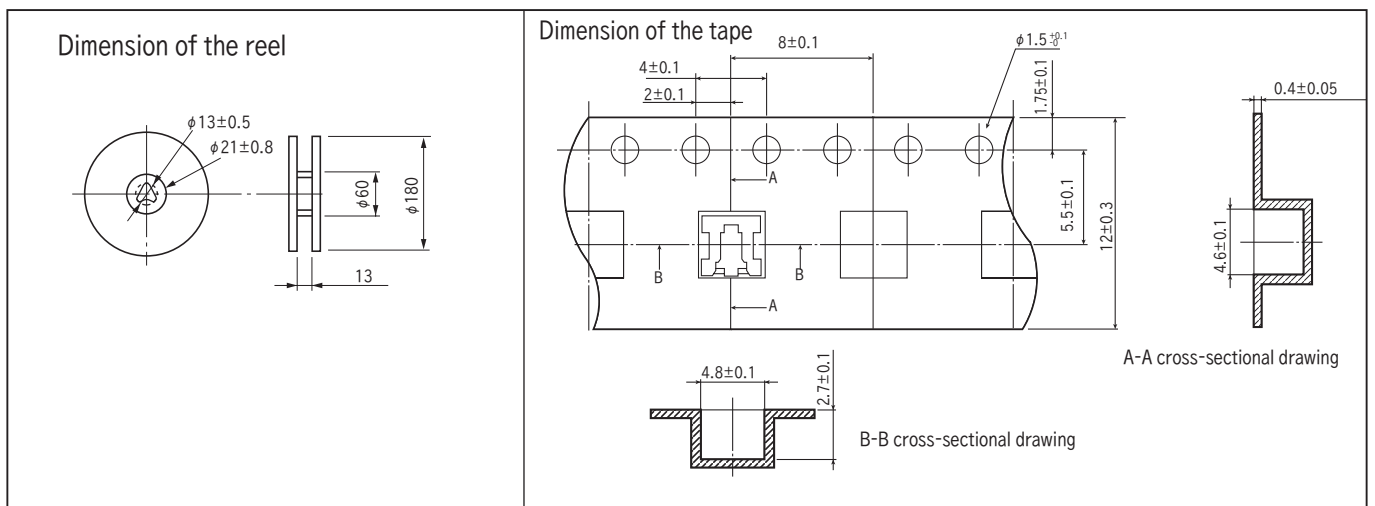
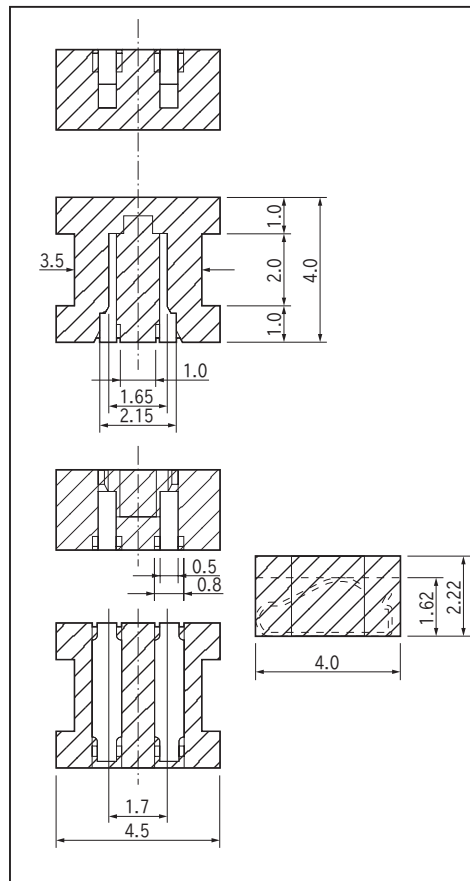
Adaptive LED size



Part No.

Part No.	Package
LS-2-1	Reel (600pcs/reel)
LS-2-1-B	Bulk (100pcs/pack)

Dimension



- Adsorption film is attached for the reel specification. Please remove it after reflow.
- Instructions for use: Please lift a spring with tweezers when the strength of the spring becomes weak.