

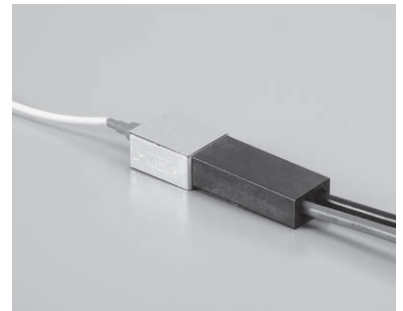
Laser diode socket

Part No.: **LDS-1.5-2P** (1pcs/pack)

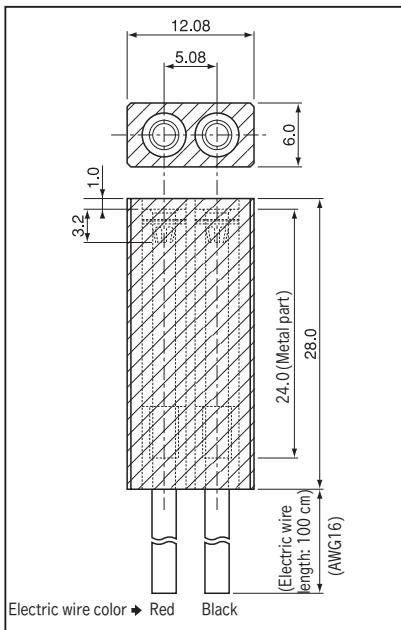
- This socket is for laser diode.
- Electric wire of 100cm is attached to one side.
- Material
 - Housing: PPS resin black (UL94V-0)
 - Socket Body: Brass
 - Contact: Beryllium copper
- Finish: Gold plating over nickel base
- Rated current: 20A
- Rated voltage: 20V AC, DC
- Insulation resistance: 500M Ω or over
- Withstand voltage: 1000V AC, DC per minute
- Contact resistance: 10 m Ω or less (per pin)
- Insertion / removal durability : 100 cycles
- Fitting electric wire: AWG16
- Operating temperature range: - 40 to + 80°C
- Adaptive male pin diameter: φ 1.3 to φ 1.55



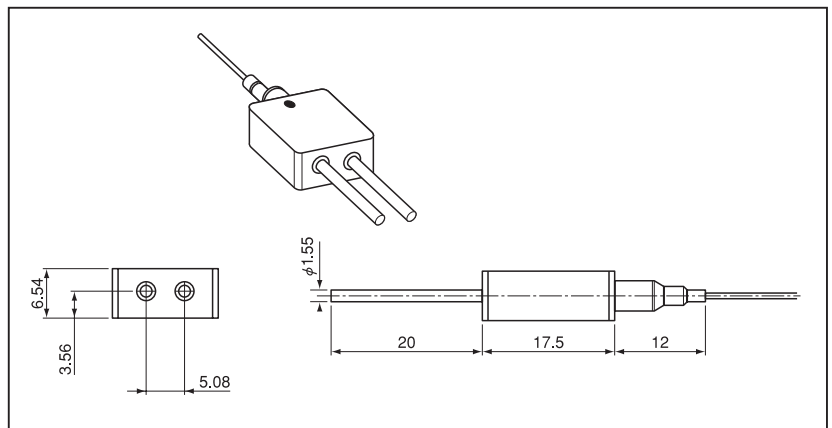
■ Example of usage



■ Dimension



■ Adaptive laser



■ How to order

Part No.: LDS-1.5-2P

- Although the standard product has the electric wire of 100 cm long, we can manufacture a longer one, if necessary. Please contact us.
- We can manufacture the product with different electric wire color. Please contact us.