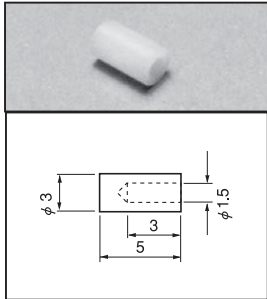


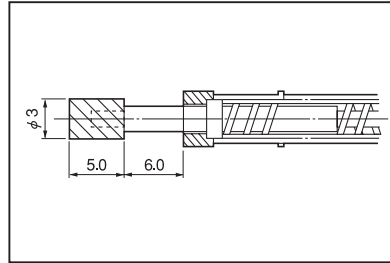
**Head cover**

Part No.: **VCC-5** (10pcs/pack)

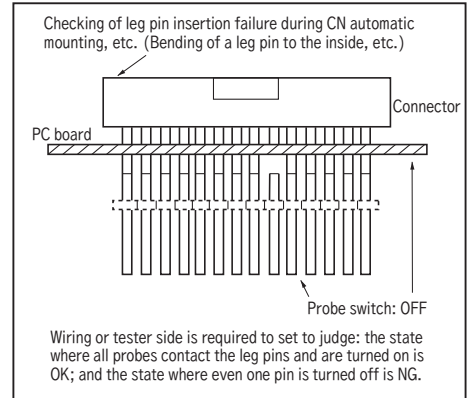
- This is fit to VC-2-1 and adjust the height.
- Material: Resin (Acetal copolymer)



■ **Fitting condition of the head cover**



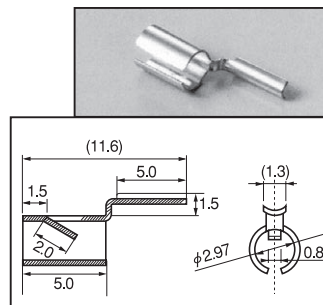
■ **Example of usage**



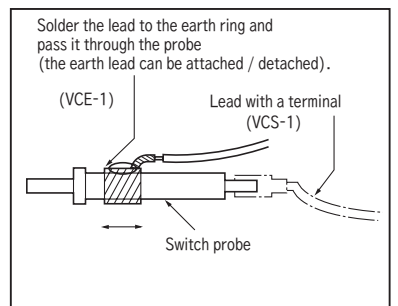
**Earth ring**

Part No.: **VCE-1** (10pcs/pack)

- This earth ring is fit to the probe No.1 of VC-2-1.
- Please solder electric wire and fit in the probe.
- Material: Phosphor bronze (Gold plating over nickel base)



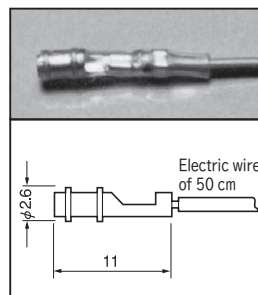
■ **How to use**



**Socket**

Part No.: **VCS-1** (10pcs/pack)

- This socket is fit to the probe No.2 of VC-2-1.
- Electric wire of 50 cm long is attached.
- Electric wire color: BLACK (AWG24)
- Material : Phosphor bronze (Tin plating)



■ **Reference drawing or fitting**

