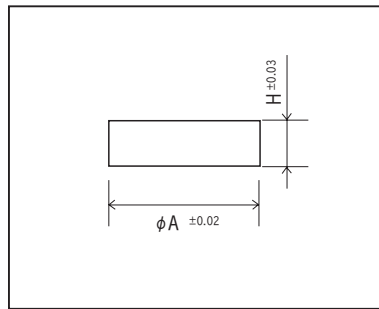


Copper coin for cooling Printed Board

CLA series (100pcs/pack)

- Mount to the printed board, and release the heat.
- No two-sides
- Fitting method is different from PCB company, so please consult with them.
- Material: Copper
- Finish: Degreasing

※ No nickel plating, so there maybe color-changed.



■ Part No.

Part No.	A	H	Adaptive PC board thickness
CLA-2-1.0	2.0	1.0	1.0
CLA-2-1.6	2.0	1.6	1.6
CLA-3-1.0	3.0	1.0	1.0
CLA-3-1.6	3.0	1.6	1.6
CLA-4-1.0	4.0	1.0	1.0
CLA-4-1.6	4.0	1.6	1.6
CLA-5-1.0	5.0	1.0	1.0
CLA-5-1.6	5.0	1.6	1.6
CLA-6-1.0	6.0	1.0	1.0
CLA-6-1.6	6.0	1.6	1.6
CLA-7-1.0	7.0	1.0	1.0
CLA-7-1.6	7.0	1.6	1.6

■ Example of usage

