

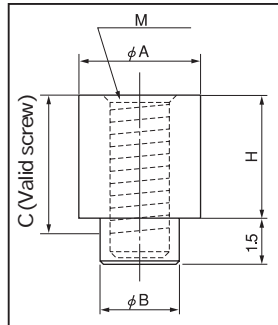
Through hole tap
THF-1.6 series

- A chip mounter can be used for this spacer.
- A spacer can be fit on a PC board just by automatically loading it on the PC board and carrying out reflow.
- There is no adsorption film. It can be adsorbed as it is.
(Please set the adsorption nozzle dimension according to the external diameter.) (The bottom is closed.)
- Material: Brass
- Finish: Tin plating over nickel base
- Rated current:
 - THF-1.6-□ -M220A
 - THF-1.6-□ -M2.6.....20A
 - THF-1.6-□ -M330A
- Tightening torque:
 - THF-1.6-□ -M2.....1.5kgf-cm (14.7N-cm) or less
 - THF-1.6-□ -M2.6.....3kgf-cm (29.4N-cm) or less
 - THF-1.6-□ -M3.....5kgf-cm (49N-cm) or less
- Adaptive printed board thickness: t1.6 or over
(There is no problem if it is used for other board thickness.)
- Please use the automatic mounter of automatic recognition type.

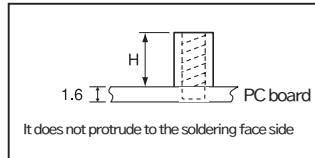
Part No.

Part No.	A	B	C	H	M	quantity per reel
THF-1.6-1.5-M2	4.0	2.5	1.5	1.5	M2	450 pcs
THF-1.6-2.0-M2	4.0	2.5	2.0	2.0	M2	450 pcs
THF-1.6-2.5-M2	4.0	2.5	2.5	2.5	M2	350 pcs
THF-1.6-3.0-M2	4.0	2.5	3.0	3.0	M2	350 pcs
THF-1.6-3.5-M2	4.0	2.5	3.5	3.5	M2	350 pcs
THF-1.6-4.0-M2	4.0	2.5	4.0	4.0	M2	250 pcs
THF-1.6-4.5-M2	4.0	2.5	4.5	4.5	M2	250 pcs
THF-1.6-5.0-M2	4.0	2.5	5.0	5.0	M2	250 pcs
THF-1.6-5.5-M2	4.0	2.5	5.5	5.5	M2	350 pcs
THF-1.6-6.0-M2	4.0	2.5	6.0	6.0	M2	350 pcs
THF-1.6-6.5-M2	4.0	2.5	6.5	6.5	M2	300 pcs
THF-1.6-7.0-M2	4.0	2.5	7.0	7.0	M2	300 pcs
THF-1.6-7.5-M2	4.0	2.5	7.5	7.5	M2	300 pcs
THF-1.6-8.0-M2	4.0	2.5	8.0	8.0	M2	300 pcs
THF-1.6-1.5-M2.6	4.5	3.1	1.5	1.5	M2.6	450 pcs
THF-1.6-2.0-M2.6	4.5	3.1	2.0	2.0	M2.6	450 pcs
THF-1.6-2.5-M2.6	4.5	3.1	2.5	2.5	M2.6	350 pcs
THF-1.6-3.0-M2.6	4.5	3.1	3.0	3.0	M2.6	350 pcs
THF-1.6-3.5-M2.6	4.5	3.1	3.5	3.5	M2.6	350 pcs
THF-1.6-4.0-M2.6	4.5	3.1	4.0	4.0	M2.6	250 pcs
THF-1.6-4.5-M2.6	4.5	3.1	4.5	4.5	M2.6	250 pcs
THF-1.6-5.0-M2.6	4.5	3.1	5.0	5.0	M2.6	250 pcs
THF-1.6-5.5-M2.6	4.5	3.1	5.5	5.5	M2.6	350 pcs
THF-1.6-6.0-M2.6	4.5	3.1	6.0	6.0	M2.6	350 pcs
THF-1.6-6.5-M2.6	4.5	3.1	6.5	6.5	M2.6	300 pcs
THF-1.6-7.0-M2.6	4.5	3.1	7.0	7.0	M2.6	300 pcs
THF-1.6-7.5-M2.6	4.5	3.1	7.5	7.5	M2.6	300 pcs
THF-1.6-8.0-M2.6	4.5	3.1	8.0	8.0	M2.6	300 pcs
THF-1.6-1.5-M3	5.0	3.5	1.5	1.5	M3	450 pcs
THF-1.6-2.0-M3	5.0	3.5	2.0	2.0	M3	450 pcs
THF-1.6-2.5-M3	5.0	3.5	2.5	2.5	M3	350 pcs
THF-1.6-3.0-M3	5.0	3.5	3.0	3.0	M3	350 pcs
THF-1.6-3.5-M3	5.0	3.5	3.5	3.5	M3	350 pcs
THF-1.6-4.0-M3	5.0	3.5	4.0	4.0	M3	250 pcs
THF-1.6-4.5-M3	5.0	3.5	4.5	4.5	M3	250 pcs
THF-1.6-5.0-M3	5.0	3.5	5.0	5.0	M3	250 pcs
THF-1.6-5.5-M3	5.0	3.5	5.5	5.5	M3	350 pcs
THF-1.6-6.0-M3	5.0	3.5	6.0	6.0	M3	350 pcs
THF-1.6-6.5-M3	5.0	3.5	6.5	6.5	M3	300 pcs
THF-1.6-7.0-M3	5.0	3.5	7.0	7.0	M3	300 pcs
THF-1.6-7.5-M3	5.0	3.5	7.5	7.5	M3	300 pcs
THF-1.6-8.0-M3	5.0	3.5	8.0	8.0	M3	300 pcs
THF-1.6-8.5-M3	5.0	3.5	8.5	8.5	M3	250 pcs
THF-1.6-9.0-M3	5.0	3.5	9.0	9.0	M3	250 pcs
THF-1.6-9.5-M3	5.0	3.5	9.5	9.5	M3	250 pcs
THF-1.6-10-M3	5.0	3.5	10	10	M3	250 pcs

Dimension



Condition of fitting to the PC board



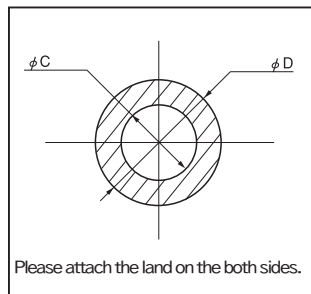
- M2 P = 0.4
- M2.6 P = 0.45
- M3 P = 0.5

To order bulk product

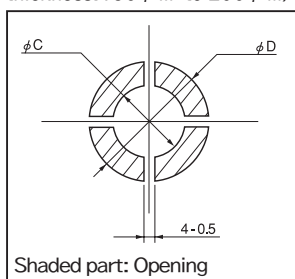
THF-1.6-1.5-M2-B
↑
Please specify -B.

- 100pcs/pack

Recommended land information



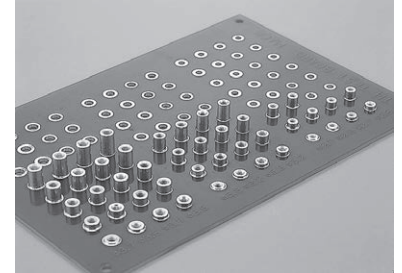
Recommended metal mask
(Recommended metal mask thickness:150 μm to 200 μm)



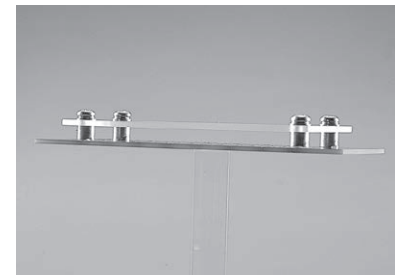
▲ Use of a through hole tap is limited to a through hole board.
(It is impossible to use it for a one-sided board and non through hole board.)



Example of usage



When it is reflowed



Condition of fitting the panel to the printed board

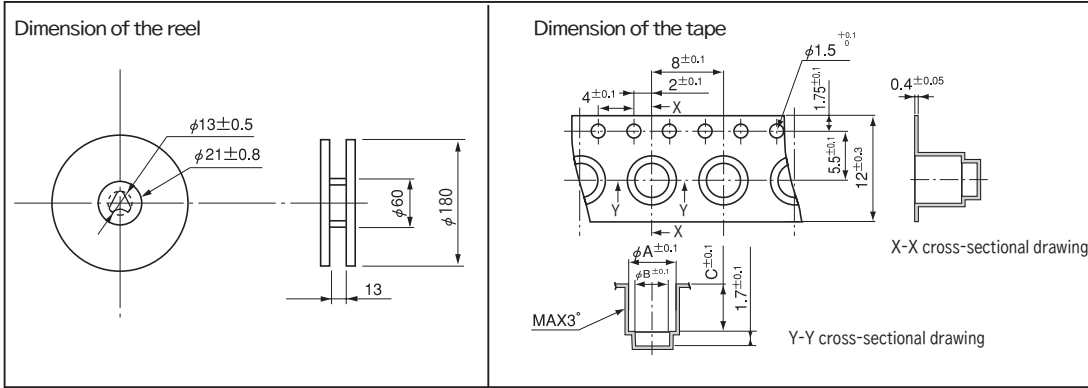
Part No.	C D	
	^{+0.1} -0	D
THF-1.6-□ -M2	2.7	5.0
THF-1.6-□ -M2.6	3.3	5.5
THF-1.6-□ -M3	3.7	6.0

Part No.	C D	
	^{+0.1} -0	D
THF-1.6-□ -M2	2.7	5.0
THF-1.6-□ -M2.6	3.3	5.5
THF-1.6-□ -M3	3.7	6.0

Dimension of the through hole tap reel

THF-1.6 series

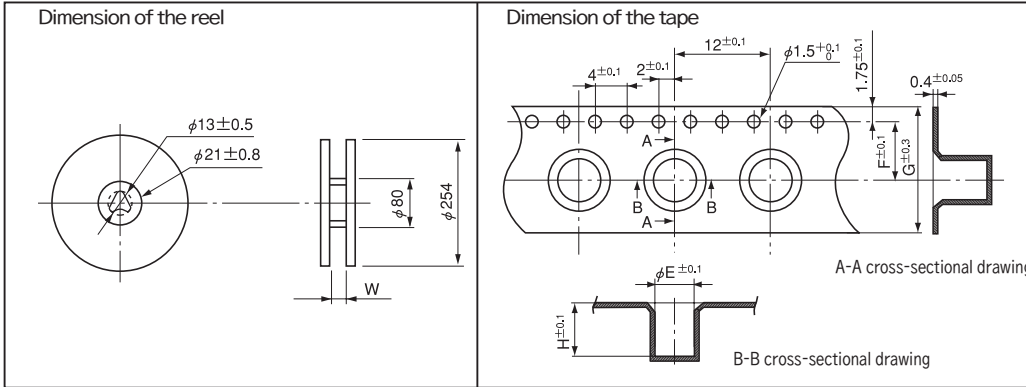
■ Dimension of the reel (THF-1.6-1.5 to THF-1.6-5.0)



	C
THF-1.6-1.5 to 2.0	2.3
THF-1.6-2.5 to 3.5	3.8
THF-1.6-4.0 to 5.0	5.3

	A	B
M2 type	4.3	2.8
M2.6 type	4.8	3.4
M3 type	5.3	3.8

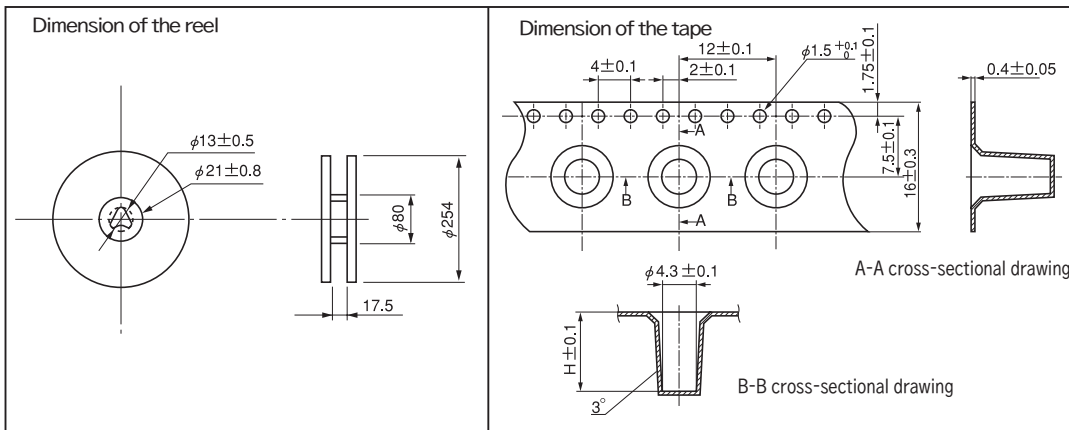
■ Dimension of the reel (THF-1.6-5.5 to THF-1.6-10)



	H	W
THF-1.6-5.5 to 6.0	7.8	17.5
THF-1.6-6.5 to 7.0	8.8	17.5
THF-1.6-7.5 to 8.0	9.8	17.5
THF-1.6-8.5 to 9.0	10.8	17.5
THF-1.6-9.5 to 10	11.8	25.5

	E	F	G
M2.6 type	4.8	7.5	16
M3 type	5.3	7.5	16
(5.5 to 9.0)			
M3 type	5.3	11.5	24
(9.5 to 10)			

■ Dimension of the reel (THF-1.6-5.5-M2 to THF-1.6-8.0-M2)



	H
THF-1.6-5.5-M2	7.8
THF-1.6-6.0-M2	7.8
THF-1.6-6.5-M2	8.8
THF-1.6-7.0-M2	8.8
THF-1.6-7.5-M2	9.8
THF-1.6-8.0-M2	9.8