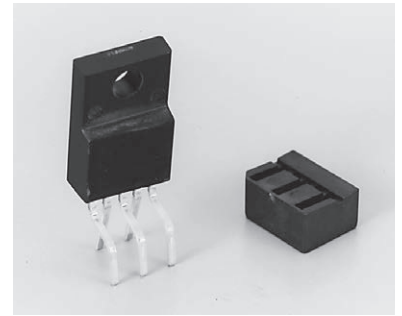


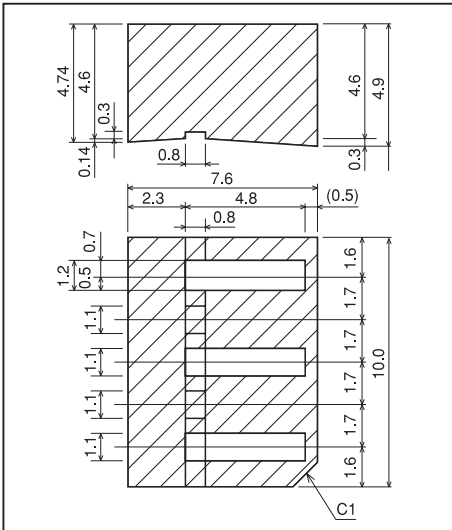
Spacer for five-terminal power supply regulator

Part No.: **5LP-4.6** (100pcs/pack)

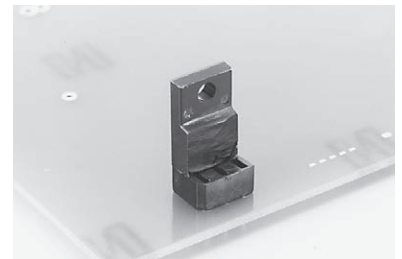
- This spacer is adaptive for five-terminal power supply regulator as shown in the following drawing.
- This can prevent leakage due to dirt adhesion.
- Material: PPS resin (UL94V-0)
- Color: BLACK
- Operating temperature range: - 40 to + 125°C



■ Part No.5LP-4.6



■ Example of usage



■ Adaptive regulator

