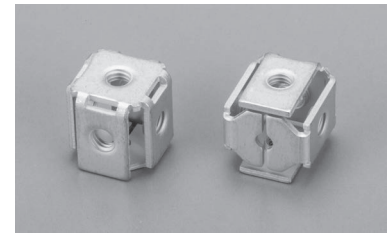


Cube type terminal for surface mounting

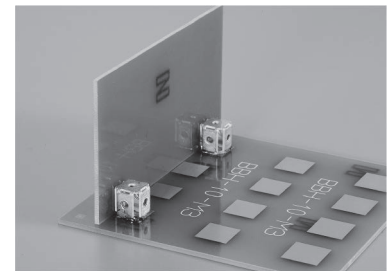
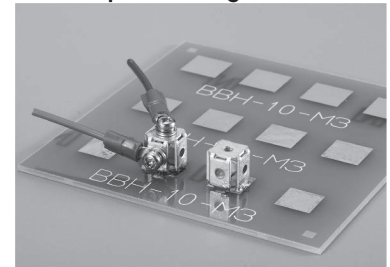
BBH-10-M3

- After mounted to the SMD board, you can screw-in from 5 directions.
- Attach the cable to the crimping terminal and use a screw to connect with the product, power supply is possible.
- Can also mount the slave board vertically with screw.
- Material : Copper t0.8
- Finish : Tin plating over nickel base
- Rated current : 20A

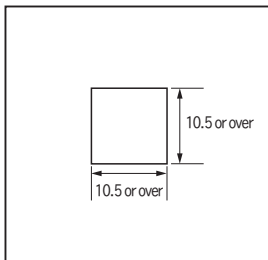


- Recommended metal mask thickness150 μm to 200 μm
- Tightening torque.....5kgf-cm (49N-cm) or less

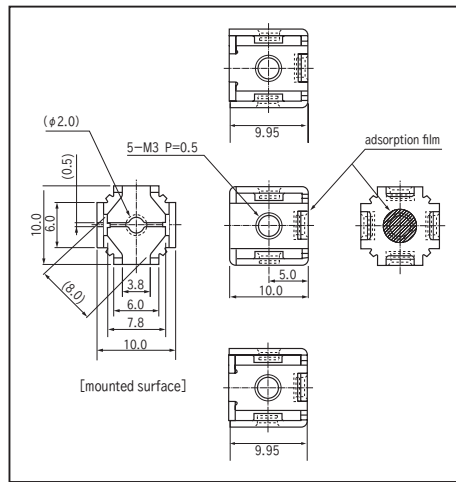
■ Example of usage



■ Recommended land information



■ Dimension

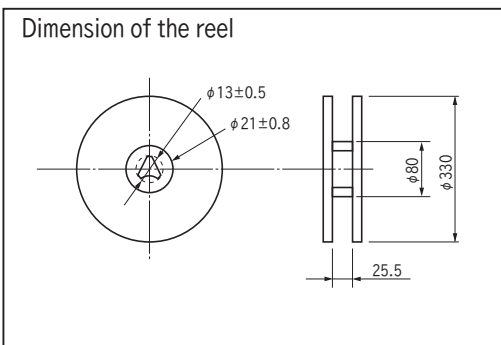


■ Part No.

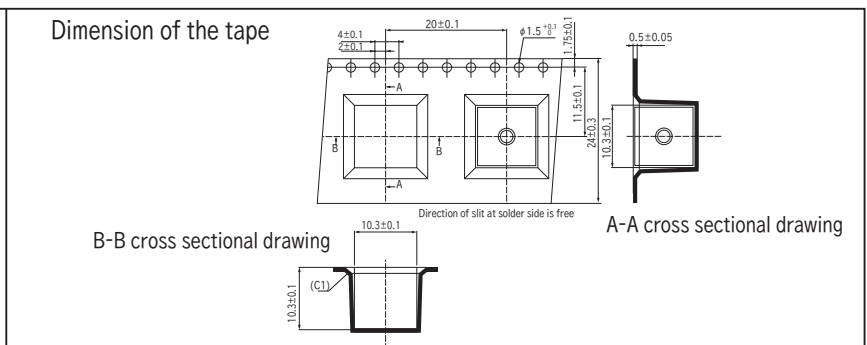
Part No.	Package
BBH-10-M3	Bulk (100pcs/pack)
BBH-10-M3-T	Reel (300pcs/reel)

- There is an adsorption film on BBH-10-M3-T. Please remove the film after reflow.

■ Dimension of the reel



Dimension of the tape



■ Instructions for use

This part can be mounted on the PCB with applying cream-solder, and can be mounted to the PCB by reflow. In case of solder won't flow into 2 slit of the mounting surface please use soldering iron to help.