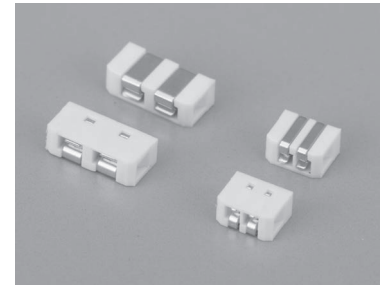


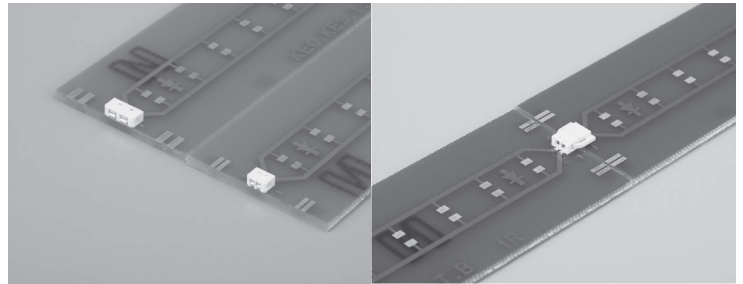
Parallel connection connector for surface mounting

Part No.: KES series

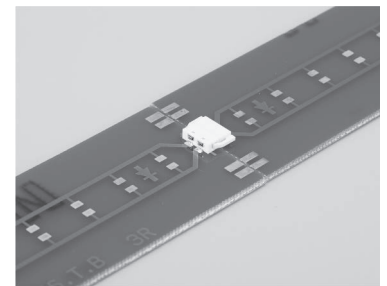
- This connector can connect the boards for surface mounting in parallel.
- The mating side is KEO series.
- With a lock mechanism, it is not easily taken off.
- Material Resin part: 46 nylon white (UL94V-0)
Metal part: Phosphor bronze
- Finish: Gold plating over nickel base
- Rated current: 2A (KES-1R-2P)
3A (KES-3R-2P)
- Rated voltage: 48V AC, DC
- Insulation resistance: 500M Ω or over
- Withstand voltage:
500V AC, DC per minute (KES-1R-2P)
1000V AC, DC per minute (KES-3R-2P)
- Contact resistance: 20m Ω or less
- Insertion / removal durability : 50 cycles
- Operating temperature range: - 40 to + 100°C
- Adaptive male pin: KEO series



■ Example of usage



Combination of KES-1R-2P and KEO-1R-2P

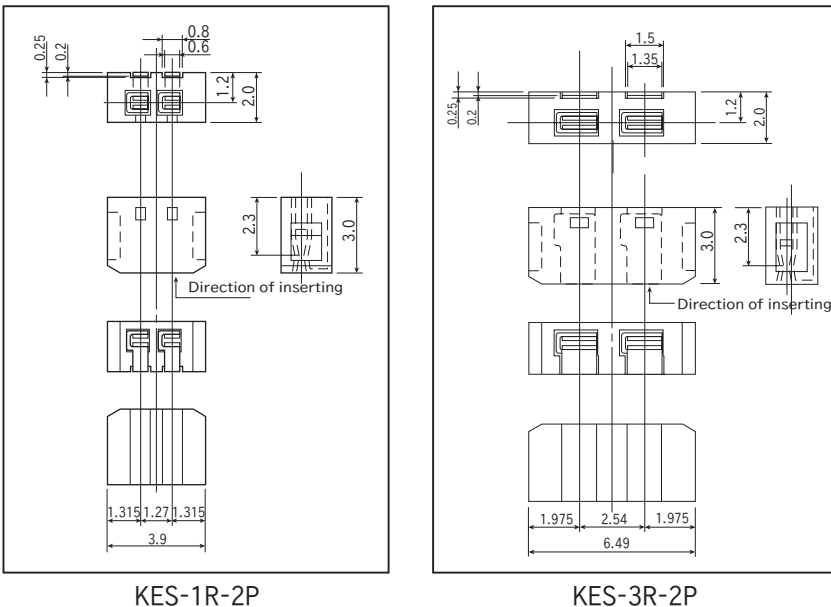


Combination of KES-3R-2P and KEO-3R-2P

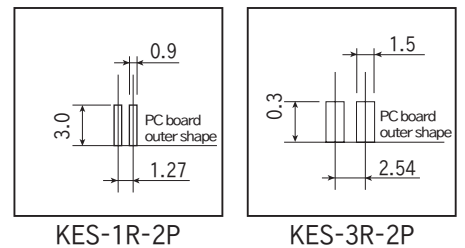
■ How to order

Part No.	Package
KES-1R-2P	Bulk (100pcs/pack)
KES-1R-2P-T	Reel (800pcs/reel)
KES-3R-2P	Bulk (100pcs/pack)
KES-3R-2P-T	Reel (800pcs/reel)

■ Dimension

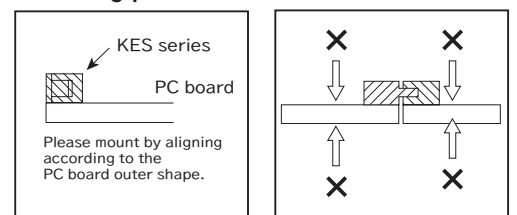


■ Recommended land information



■ Recommended metal mask thickness :
100 μm to 120 μm

■ Fitting position

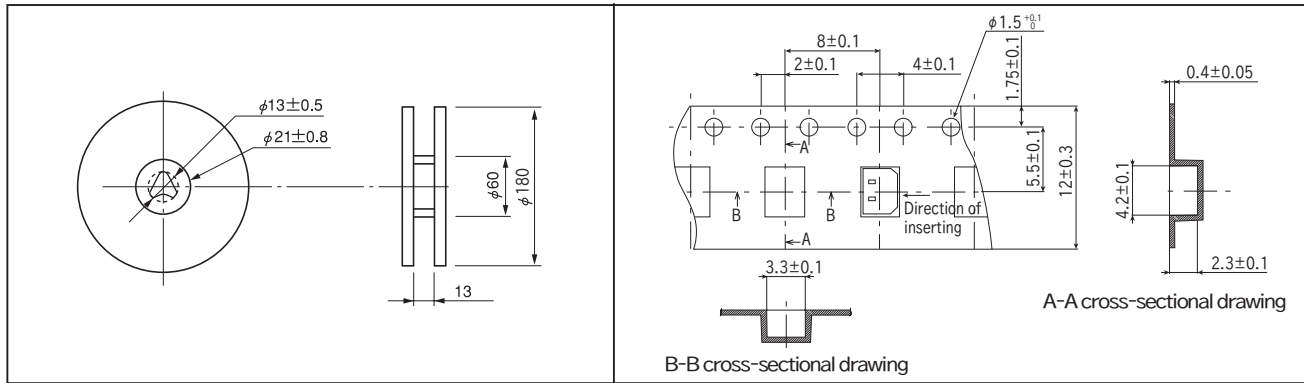


■ Instructions for use

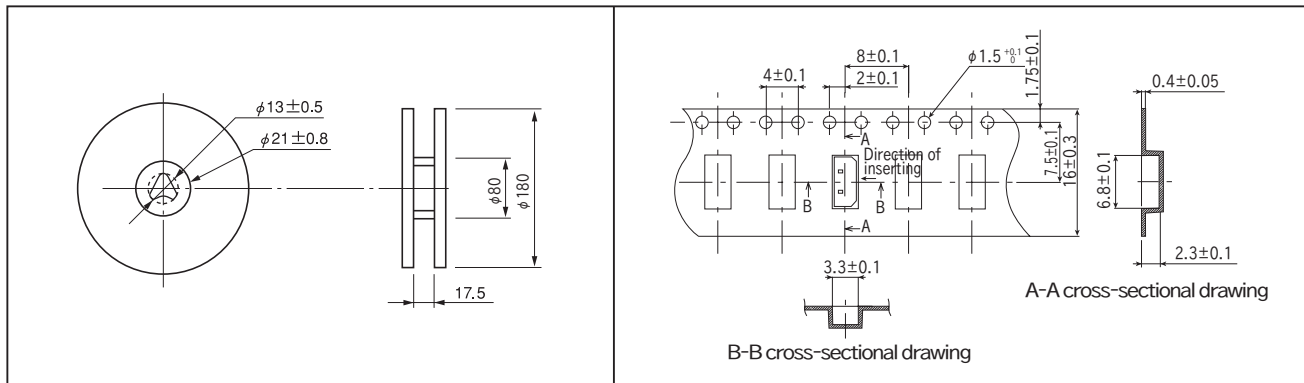
- As this is small, it will be broken when the forces are applied upward and downward. Please fix the PC board with a screw, etc. to prevent the forces from applying upward and downward.
- When this is fit to KEO series, please align well and fit them. Forced fitting may cause breakage of the arm.
- As positioning is difficult, please use only one piece for one PC board.
- Although the white color has a slight discoloration during reflow, there is no problem in the performance.

KES, KEO series Dimension of the reel

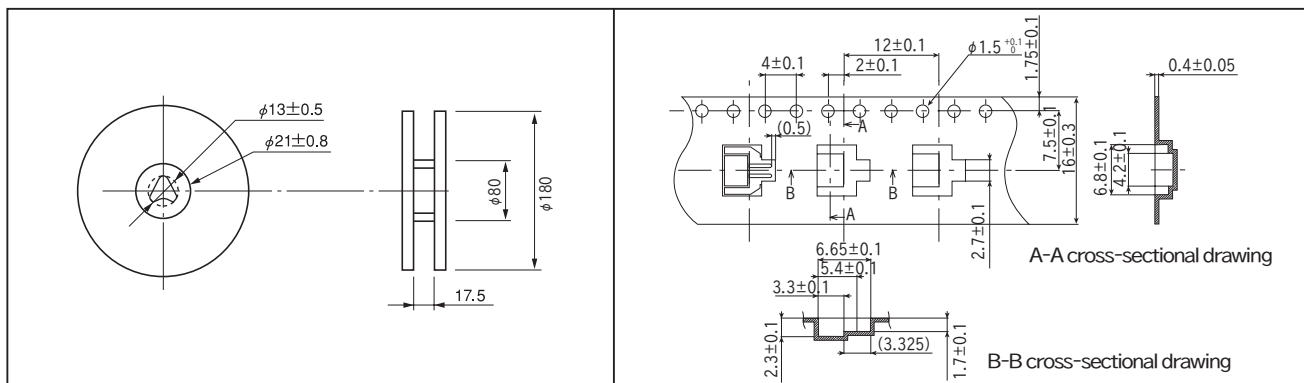
■ **KES-1R-2P** Dimension of the reel



■ **KES-3R-2P** Dimension of the reel



■ **KEO-1R-2P** Dimension of the reel



■ **KEO-3R-2P** Dimension of the reel

