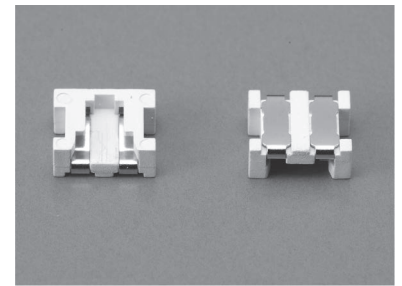


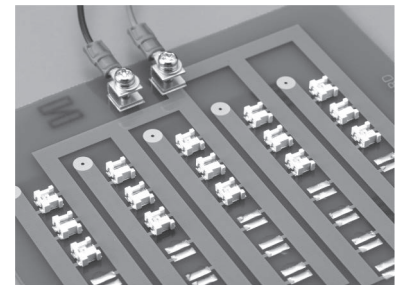
LED test socket for surface mounting (3.2 × 1.6 type)

**LS-3 series**

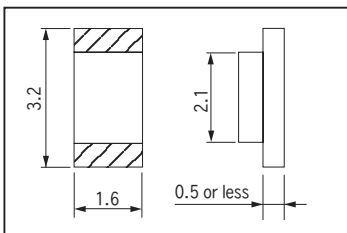
- This is used for illuminance test of a chip LED, etc. (LS-3-1)
- This is also used for measuring of resistance value of a chip resistor. (LS-3-2)
- The chip LED can be fixed by holding it with sharp-edged tweezers and inserting it to the socket.
- Although this socket is made for an LED of 3.2 × 1.6, the size of LED differs from manufacturer depending on the type. Please use the product after confirming that it is adaptive. (LS-3-1)
- Although this can be used for measuring the resistance value of a resistor of 3.2 × 1.6, the size differs from manufacturer . Please use the product after confirming that it is adaptive. (LS-3-2)
- Material
  - Metal part: Beryllium copper
  - Resin part: LCP white (UL94V-0)
- Finish: Gold plating over nickel base
- Rated current: 1A
- Insulation resistance: 500M Ω or over
- Withstand voltage: 500V AC, DC per minute
- Operating temperature range: - 40 to + 125°C



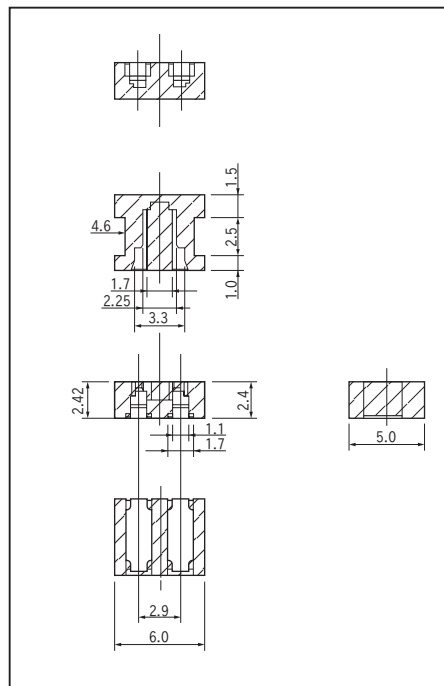
■ Example of usage



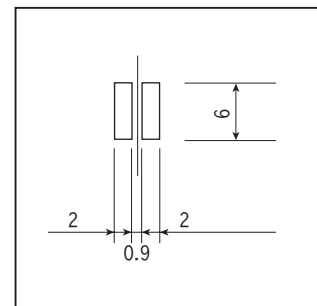
■ Adaptive LED size (LS-3-1)



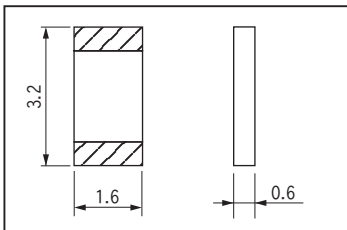
■ Dimension



■ Recommended land information



■ Adaptive size of resistor (LS-3-2)



■ Part No.

Part No.	Package
LS-3-1	Reel (400pcs/reel)
LS-3-1-B	Bulk (100pcs/pack)
LS-3-2	Reel (400pcs/reel)
LS-3-2-B	Bulk (100pcs/pack)

