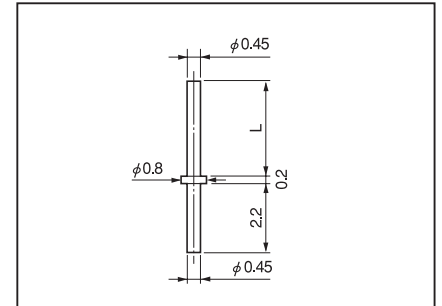
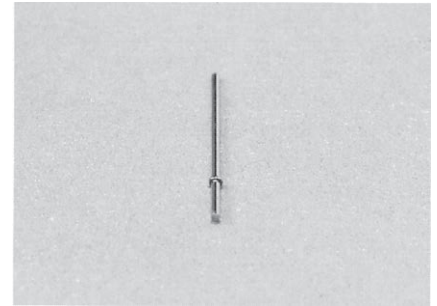


Terminal for hybrid IC

**CM series** (1000pcs/pack)

- Please use this for a leg of hybrid IC, etc.
- As it has a leg of  $\phi$  0.45, it can be inserted into a normal round pin socket.
- Material: Phosphor bronze
- Finish: Gold plating over nickel base
- Rated current: 3A
- Printed board fitting hole diameter:  $\phi$  0.5

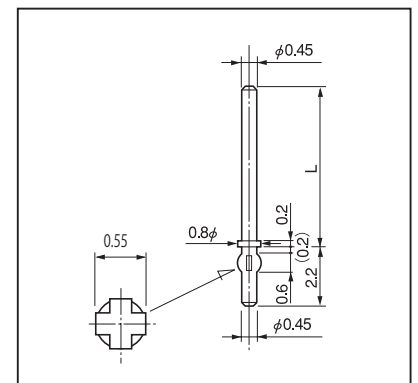


Part No.	L
CM-1-1	2.2
CM-1-2	3.0
CM-1-3	3.5
CM-1-4	4.0
CM-1-5	4.5
CM-1-6	5.0
CM-1-7	6.0
CM-1-8	7.0
CM-1-9	8.0
CM-1-10	9.0
CM-1-11	10.0

Terminal for hybrid IC

**CF series** (1000pcs/pack)

- Please use this for a leg of hybrid IC, etc.
- Recessed portion (dimensions 0.55 part), temporary fixing can be done before soldering.
- As it has a leg of  $\phi$  0.45, it can be inserted into a normal round pin socket.
- Material: Kovar
- Finish: Gold plating over nickel base
- Rated current: 2A
- Printed board fitting hole diameter:  $\phi$  0.5
- Press-fitting tool Main unit: PCX-1  
Edge chip:P-24



Part No.	L
CF-1-3	3
CF-1-4	4
CF-1-5	5
CF-1-8	8
CF-1-10	10
CF-1-15	15
CF-1-20	20

\* Without the press-fitting tool, you can insert the terminal by pushing it with your hand.